

A close-up photograph of a human hand holding a large quantity of small, black, cylindrical plastic granules. The granules are falling from the hand, creating a sense of motion. The background is a dense field of these same granules.

**FRANK.** Plastic in good hands

Price list 2023 | Geothermal system





## Structural foundation for energetic use

With FRANK-GET-system foundation piles can also be used for energy extraction.

Any questions?  
We are happy to help.

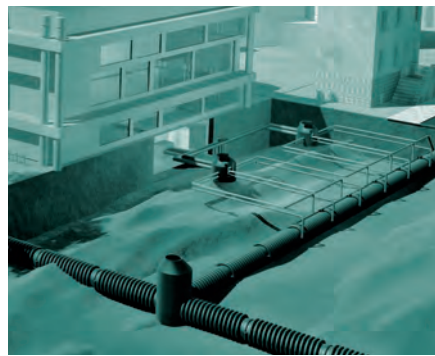
# Different ways of using energy from the ground:

FRANK provides the right solution for every application. Which one is yours?



## FRANK-GET-system

Premanufactured probes made of PE 100-RC or PE-X as well as manifold chambers and manifolds.



## PKS®-Thermpipe

PE sewage pipe for energy extraction from ground and waste water.



## FRANK-VTP®

Vertical Thermpipe for using geothermal energy also in case of drilling restrictions.



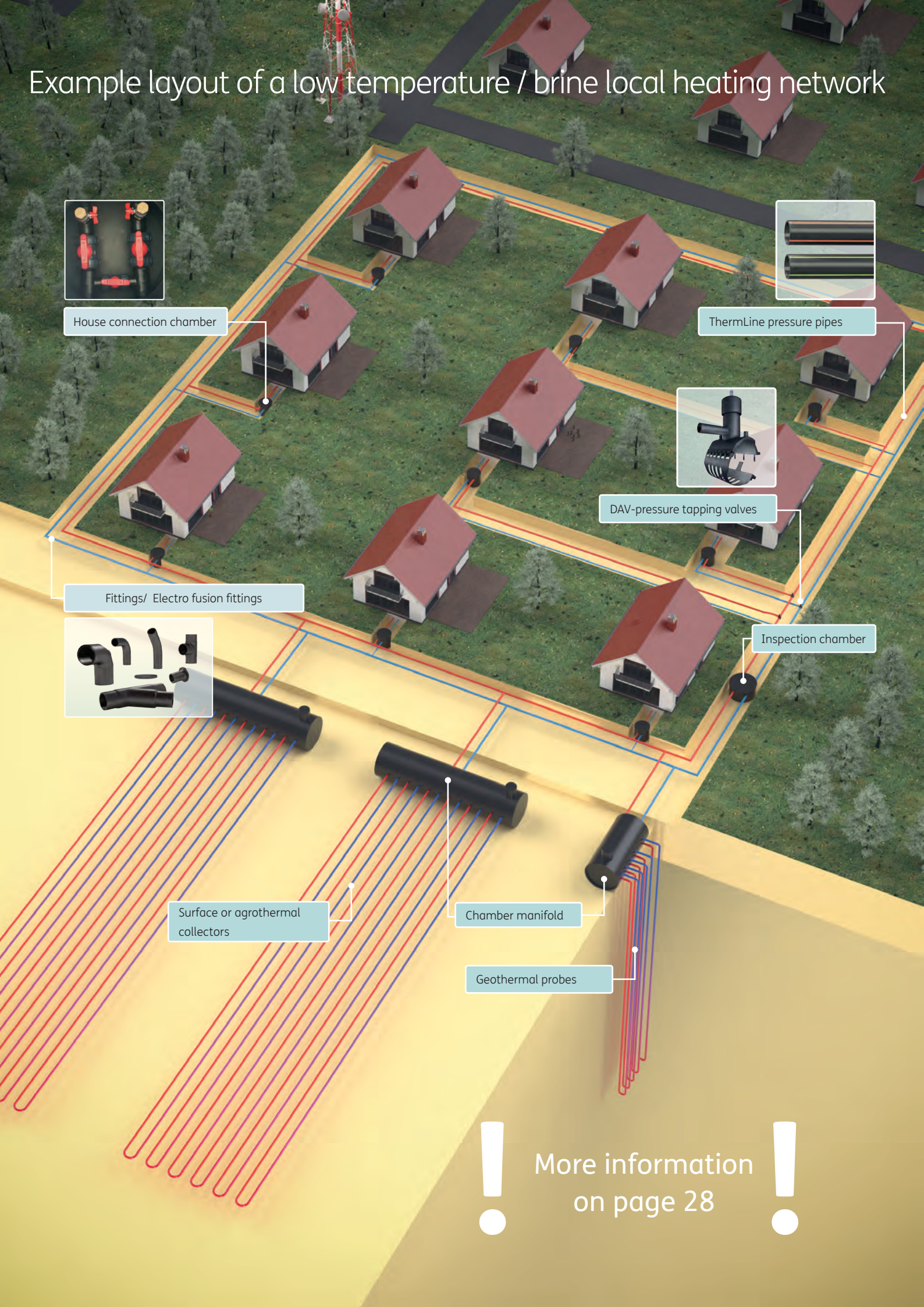
## FRANK WET / heat exchanger

PE heat exchanger to extract energy from lakes and rivers.

**Feel free to contact us: We are happy to help!**

Phone +49 6105 4085-0

# Example layout of a low temperature / brine local heating network



House connection chamber



ThermLine pressure pipes



DAV-pressure tapping valves

Fittings/ Electro fusion fittings



Inspection chamber

Surface or agrothermal collectors

Chamber manifold

Geothermal probes

! More information on page 28 !

# FRANK Export price list 2023

valid from February 2023

## Geothermal system

### About the price list

All prices are recommended retail prices, price indication in Euro and without German VAT. All technical data in millimeter.

All information without obligation, technical details are subject to modifications.

### Content

Geothermal department .....	III
Delivery program .....	IV
General terms and conditions .....	VI

### Geothermal department



**Marcus Bergk**  
Head of Department  
Geothermal System  
T: +49 6105 4085-171  
F: +49 6105 4085-8171  
m.bergk@frank-gmbh.de



**Uwe Roßmann**  
Vice Head of Department  
Geothermal System  
T: +49 6105 4085-131  
F: +49 6105 4085-8131  
u.rossmann@frank-gmbh.de



**Stephan Grabinger**  
Sales consultant  
T: +49 6105 4085-136  
F: +49 6105 4085-8136  
s.grabinger@frank-gmbh.de



**Kristina Schreiber**  
Sales consultant  
T: +49 6105 4085-253  
F: +49 6105 4085-8253  
k.schreiber@frank-gmbh.de



**Silvio Walenta**  
Sales consultant  
T: +49 6105 4085-135  
F: +49 6105 4085-8135  
s.walenta@frank-gmbh.de



**Benjamin Hubl**  
Sales consultant (Export)  
T: +49 6105 4085-149  
F: +49 6105 4085-8149  
b.hubl@frank-gmbh.de



**Ute Naumann**  
Sales consultant (Export)  
T: +49 6105 4085-153  
F: +49 6105 4085-8153  
u.naumann@frank-gmbh.de



**Elisa Tron**  
Sales consultant (Export)  
T: +49 6105 4085-143  
F: +49 6105 4085-8143  
e.tron@frank-gmbh.de



**Andreas Iburg**  
Key Account Manager  
T: +49 6105 4085-179  
F: +49 6105 4085-8179  
a.iburg@frank-gmbh.de



**Dennis Fauß**  
Application Engineer  
T: +49 6105 4085-180  
F: +49 6105 4085-8180  
d.fauss@frank-gmbh.de



**Natalia Podkowiński**  
Application Engineer  
T: +49 6105 4085-142  
F: +49 6105 4085-8142  
n.podkowiński@frank-gmbh.de





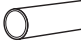











**André Fischer**  
Technical Support exterior  
Northern Germany  
T: +49 6105 4085-188  
F: +49 6105 926-8188  
M: +49 175 2670829  
a.fischer@frank-gmbh.de





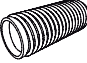



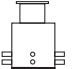
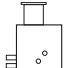
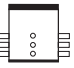
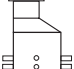

**Thomas Popp**  
Sales representative  
Southern Germany  
T: +49 6105 4085-0  
F: +49 6105 4085-140  
M: +49 170 3100243  
t.popp@fischer-spezialbaustoffe.de

# Delivery program

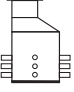
## FRANK GET-System

	Page
	Geothermal probes made of PE 100-RC ..... 2
	Geothermal probes made of PE-X ..... 3
	Pipe made of PE 100-RC ..... 4
	Pipe made of SurePEX ..... 5
	Injection pipe ..... 6
	Sealing plug ..... 6
	Pipe junction made of PE 100-RC ..... 7
	Pipe junction with E-coupler made of PE 100-RC ..... 7
	Welding holder for pipe junctions ..... 7
	Spacer ..... 8
	Installation tool ..... 8
	Installation tool „heavy version“ ..... 8
	Decoiler for geothermal probes ..... 9
	Weight for geothermal probe ..... 9
	Warning strap ..... 9
	FRANK VTP® / Vertical Thermpipe ..... 10


## FRANK GET-System

	Page
	Horizontal collector system ..... 11
	Heat exchanger for lakes ..... 12
	PKS-THERMPIPE® ..... 13
	Overview chamber manifold ..... 14
	Chamber manifold type WM ..... 16
	Chamber manifold L-560 ..... 17
	Chamber manifold D 400 ..... 18
	Chamber manifold type L-500 / L-520 ..... 19
	Chamber manifold type L-540 ..... 20
	Chamber manifold V 600 ..... 21
	Chamber manifold type L-750-T ..... 22
	Chamber manifold type L-800-T ..... 23
	Chamber manifold type L-1200-T ..... 24


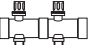

## FRANK GET-System

	Page
	Chamber manifold type V-1200-T / V-1300-T ..... 25
	Chamber manifold type H-1400-T / H-1500-T / H-1800-T ..... 26

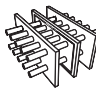



## FRANK GET-System

	Customized Chamber manifold ..... 27
	Customized plastic brine manifold ..... 27
	components for cold local heating networks ..... 28

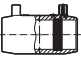

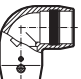
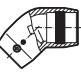

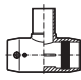
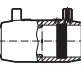

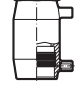
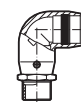
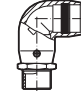
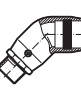
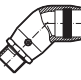
## FRANK GET-System

	Page
 Combination of modular plastic brine manifold types 2061 - 2065 .....	30
Basic packages for manifold types 2061 - 2065 .....	31
Manifold sets type 2061 - 2065 .....	32
Connection parts for manifold types .....	33
<hr/>	
 Modular plastic brine manifold type 3060 .....	34
 Insulating shell sets type 3060 .....	35



## FRANK GET-System

 FRANK floor and wall duct .....	36
 FRANK Ring-Gap-Seal .....	36
 Wall duct .....	37
 FRANK Puddle flange .....	37


## Electro fusion fittings

	Page
 E-coupler Prod.Group 173 .....	38
 MULTI bend 90° Prod.Group 068 .....	38
 E-elbow 90° Prod.Group 171 .....	39
 E-elbow 45° Prod.Group 170 .....	39
<hr/>	
 E-reducer concentric Prod.Group 177 .....	40
 E-tee Prod.Group 176 .....	41
 E-end cap Prod.Group 174 .....	41
<hr/>	
 E-adaptor socket Prod.Group 185 .....	42
 Prod.Group 184 .....	42
<hr/>	
 E-adaptor elbow 90° Prod.Group 186 .....	43
 Prod.Group 187 .....	43
<hr/>	
 E-adaptor elbow 45° Prod.Group 188 .....	44
 Prod.Group 189 .....	44
<hr/>	
<i>Adaptors</i>	
Prod.Group 180 .....	45
Prod.Group 181 .....	45
Prod.Group 032 .....	46
Prod.Group 033 .....	46

## Fittings for socket welding

	Page
 Elbow 90° Prod.Group 051 .....	47
 Elbow 45° Prod.Group 050 .....	47
<hr/>	
<i>Tee</i>	
Prod.Group 056 .....	47
Prod.Group 055 .....	49
<hr/>	
<i>Flange adaptor</i>	
Prod.Group 052 .....	48
<hr/>	
<i>Socket</i>	
Prod.Group 053 .....	48
<hr/>	
<i>Reducer</i>	
Prod.Group 057 .....	49
<hr/>	
<i>End cap</i>	
Prod.Group 054 .....	49

## Welding machines and accessories

polycode (BT) .....	50
 polycode 400 (BT) .....	50
Socket welding machine .....	50
<hr/>	
Tools and accessories for welding machines .....	51

1. General, Conclusion of contract

1.1 The following terms and conditions of delivery and payment shall apply exclusively to all our deliveries and shall only apply to entrepreneurs, legal entities under public law or a special fund under public law. Our terms of delivery and payment shall also apply to all future business relations, even if they are not expressly agreed again. Our terms and conditions shall be deemed accepted upon submission of the order by the customer on the basis of our offer, but no later than 14 days after receipt of the order confirmation without objection.

If our terms and conditions of delivery and payment are opposed to conflicting terms and conditions of the customer, even if they are subsequently included in order confirmations, only our terms and conditions of delivery and payment shall apply even if we do not object to them. We shall only recognise terms and conditions of the customer that conflict with or deviate from our terms and conditions of delivery and payment if we expressly agree to their validity in writing.

1.2 Our offers are subject to change. If an order is to be regarded as an offer, we may accept it within 2 weeks. Contracts shall not be concluded until we have confirmed the order in writing. The same applies to subsidiary agreements of any kind. Subsidiary agreements shall only be valid if confirmed in writing.

1.3 If the customer does not agree with the above handling, he shall immediately - within 7 days - expressly point this out in a special letter.

1.4 In this case, we reserve the right to reject the order of the customer without any claims of any kind being made against us.

1.5 We reserve the property rights and copyrights to all documents provided to the customer in connection with the placing of the order, such as calculations, drawings, etc. These documents may not be made accessible to third parties. These documents may not be made accessible to third parties unless we give the customer our express written consent to do so. If we do not accept the orderer's offer within the period of 1.2, these documents shall be returned to us without delay.

1.6 Written form within the meaning of these GTC includes written and text form (e.g. letter, e-mail, fax).

1.7 References to the applicability of statutory provisions shall only have clarifying significance. Therefore, even without such clarification, the statutory provisions shall apply unless they are directly amended or expressly excluded in these GTC.

2. Prices and terms of payment

2.1 Unless otherwise agreed in writing, our prices shall be ex works (EXW Wölfersheim for extruded PE pipes, coiled pipes and special components/ EXW Mörfelden for the rest of the product range/ in accordance with Incoterms 2000), excluding packaging and plus value added tax at the applicable rate. Costs of packaging, shipping, expenses, customs, taxes, etc. shall be invoiced separately.

2.2 Payment shall be made within 30 days of the invoice date.

2.3 We grant a 2% discount for payment within 10 days of the invoice date.

2.4 The above payment conditions do not apply to repair and rental invoices. These invoices are payable within 10 days of the invoice date without deduction.

2.5 If no payment is made within the payment terms, interest on arrears amounting to 9 percentage points above the base interest rate will be charged. We reserve the right to claim higher damages.

2.6 We are not obliged to accept cheques and bills of exchange. If they are accepted, they shall only be deemed to be payment upon encashment. Collection and discount charges shall be borne by the buyer.

2.7 Acceptance test certificates according to DIN EN 10204-2.2 or 3.1 can be obtained free of charge via our works certificate portal. The manual creation and sending of works certificates is charged at 30 € per order item and the creation of works certificates for special components at cost.

2.8 Transfers from SEPA participating countries (currently the EU countries, Iceland, Liechtenstein, Monaco, Norway and Switzerland) must be made as SEPA transfers.

For SWIFT payments, the originator bears the charges (OUR). In addition to the sender's and recipient's details, DZ Bank AG, Frankfurt am Main, Germany, and the BIC code GENO DE FF must be entered as the intermediary bank in field 56a. In both cases, all payments must be made in EURO.

2.9 For deliveries within the EU, the customer undertakes to confirm the arrival of the goods against our delivery notes (confirmation of arrival). This can also be done electronically after prior agreement. If the customer does not comply with this obligation before the expiry of 3 months after delivery, we shall be entitled to charge the VAT currently applicable in Germany. It is then the customer's responsibility to have the VAT paid refunded in the course of a VAT refund procedure via his tax authorities.

3. Delivery, Delivery Time and Delay in Delivery, Shipment, Transfer of Risk and Default of Acceptance

3.1 Stated delivery times are non-binding for us unless they have been expressly guaranteed.

3.2 Compliance with the delivery time stated by us shall be subject to the clarification of all technical questions as well as the timely and proper fulfillment of the customer's obligations. We reserve the right to plead non-performance of the contract.

3.3 If we are unable to meet binding delivery deadlines for reasons for which we are not responsible (non-availability of the service), we shall inform the Buyer of this without delay and at the same time notify the Buyer of the expected new delivery deadline. If the service is also not available within the new delivery period, we shall be entitled to withdraw from the contract in whole or in part; we shall immediately refund any consideration already paid by the Buyer. Non-availability of the service shall be deemed to exist, for example, in the event of late delivery by our supplier, if we have concluded a congruent hedging transaction, in the event of other disruptions in the supply chain, for example due to force majeure, or if we are not obligated to procure in the individual case.

3.4 The occurrence of our delay in delivery shall be determined in accordance with the statutory provisions. In any case, however, a reminder by the buyer is required.

3.5 The statutory rights of the Buyer subject to clause 6. of these GTC and our statutory rights, in particular in the event of an exclusion of the obligation to perform (e.g. due to impossibility or unreasonableness of performance and/ or subsequent performance), shall remain unaffected.

3.6 If the customer is in default of acceptance, fails to cooperate or if our delivery is delayed for other reasons for which the customer is responsible, we shall be entitled to demand compensation for the resulting damage, including additional expenses (e.g. storage costs). Should the goods be stored with us beyond the agreed delivery date, we will charge storage costs calculated as follows: from the 9 th calendar week after the agreed delivery date 0.25% of the value of the goods per calendar week from the 13 th calendar week after the agreed delivery date 0.75% of the value of the goods per calendar week. However, at most we charge storage costs totalling 10% of the value of the goods. The proof of higher damages and our statutory claims (in particular compensation for additional expenses, reasonable compensation, termination) shall remain unaffected; however, the lump sum shall be offset against further

monetary claims. The purchaser shall be entitled to prove that we have incurred no damage at all or only significantly less damage than the aforementioned lump sum. If the customer is in default of acceptance or culpably violates other obligations to cooperate, the risk of accidental loss or accidental deterioration of the object of sale shall pass to the customer at the point in time at which the customer is in default of acceptance or debtor's delay.

3.7 Shipment is at the risk of the purchaser. Transport and other insurances shall only be effected upon request and shall be borne by the customer. The risk of accidental loss or accidental deterioration of the goods shall pass to the Purchaser upon dispatch to the Purchaser, at the latest upon leaving the factory/warehouse. This shall apply irrespective of whether the goods are dispatched from the place of performance or who bears the freight costs.

3.8 We shall deliver pre-forms (injection moulded, formed from piping, segmented), fittings and pressure-proof puddle flanges (Mauerkragen) upwards of a net value of 1,500.00 EUR free of charge within Germany. We shall deliver PE-piping (extruded, solid walled up to a diameter of 800 mm) upwards of a net value of goods of 5,000.00 EUR free of charge within Germany. Other deliveries shall generally be carried out freight collect, for partly-packed pallets we charge a lump-sum of EUR 55.00 net. For orders less than 250.00 EUR net value of goods, we shall charge 25.00 EUR net mark-up for small-volume purchases.

3.9 When goods are returned to us, said returned goods shall be in their original packaging and in a perfect re-sellable condition, i.e. neither soiled nor scratched and no older than one year. With such returns, we shall charge at least 25% of the value of the goods for restorage and a general processing fee of € 25,-. The return delivery shall be free of charge and subject to coordination of date with us and shall specify our order and invoice number. Pipes and segmented fittings and fittings made of pipe, components in HP/UHP quality, PURAD range, geothermal probes, distribution shafts, special products, goods no longer listed in the current price list and returned goods with a net value of less than EUR 150.00 are generally excluded from return.

4. retention of title

4.1 All goods delivered by us shall remain our property until payment of all our claims arising from the business relationship with the customer. This shall also apply if the purchase price has been paid for certain deliveries of goods designated by the customer. In the case of a current account, the reserved property shall be deemed to be security for our balance claims. This shall also apply to all future deliveries, even if we do not always expressly invoke this. In the event of a breach of contract by the customer, in particular in the event of default in payment, we shall be entitled, after setting a reasonable deadline, to take back the delivery item and the customer shall be obliged to surrender it. Our taking back of the delivery item always constitutes a withdrawal from the contract. After taking back the delivery item, we shall be entitled to realise it; the realisation proceeds shall be set off against the liabilities of the customer - less reasonable realisation costs.

4.2 Processing or transformation shall always be carried out for us as manufacturer, but without any obligation for us. Value-increasing processing and/or treatment of goods subject to retention of title shall not entitle the customer to compensation claims against us.

4.3 If the goods subject to retention of title are mixed or combined with other objects so that our ownership expires, it is already agreed now that our ownership of the uniform object shall pass to us in proportion to the value (invoice value). The customer shall keep the (co-) ownership for us free of charge.

If the mixing takes place in such a way that the item of the customer is to be regarded as the main item, it shall be deemed agreed that the customer shall transfer co-ownership to us on a pro rata basis and shall keep the sole ownership or co-ownership thus created in safe custody for us. In order to secure our claim against the customer, the customer also assigns to us such claims against a third party which accrue to him through the combination of the reserved goods with a property; we accept this assignment already now.

4.4 The Customer placing the order shall be entitled to process and sell the goods to which we retain title (conditionally sold goods) in conventional business transactions as long as the Customer is not in default. The Customer shall not be permitted to pledge the goods or transfer title thereto for security. Third party claims of the Customer for the conditionally sold items, based on whatever legal reason whatsoever, are now assigned to us to the extent of the final invoice price agreed upon (including applicable value added tax). In the event of processing, assignment shall be proportional to the amount of the invoice. We accept the assignment. Until further notice, we herewith authorise the Customer placing the order to collect the claims assigned to us for its own account in its own name. Our authority to collect the claims ourselves shall not be affected hereby. We shall, however, not collect the claims as long as the Customer continues to meet his obligations to payment from the collected proceeds and in particular for as long as the Customer has not filed for insolvency proceedings or has ceased payment. At our request, the Customer shall disclose the assignment and the retention of title and provide us with the necessary information and documents. The Customer shall also be bound to do so, without any specific request being made, if a third party for its part renders the assignment of the Customer's claims dependent upon its own approval.

4.5 The ordering party is obliged to bring our ownership claim to the attention of any interested third party as long as it legally exists and to notify us immediately in writing, sending a copy of the attachment protocol, if an attachment is to be made by a third party so that we can bring an action in accordance with § 771 of the German Code of Civil Procedure (ZPO). Insofar as the third party is not in a position to reimburse us for the court and out-of-court costs of an action pursuant to § 771 ZPO, the customer shall be liable for the loss.

4.6 We undertake to release the securities to which we are entitled at the request of the customer at our discretion to the extent that the realisable value of our securities exceeds the claims to be secured by more than 10%. Notwithstanding the foregoing, the transfer of ownership to the customer shall only take place after final payment of the full value of the goods and any ancillary costs, such as freight and insurance, or, in the case of a bill of exchange credit, after the bill of exchange has been honoured. We do not guarantee that in the event of non-acceptance or non-redemption of the bill of exchange, it will be protested in due time.

4.7 We are entitled at any time to disclose the assignment of claims to third parties.

4.8 Irrespective of the above assignment of claims (extended reservation of title), the customer pledges to us his claim against third parties in respect of the reserved goods, irrespective of the legal grounds. We accept the pledge. The customer authorises and empowers us to notify third parties of the pledge.

5. Warranty and notice of defects

5.1 The purchaser's warranty rights presuppose that he has duly fulfilled his obligations to inspect the goods and give notice of defects in accordance with § 377 of the German Commercial Code (HGB). Should complaints arise despite the greatest attention, obvious defects must be asserted immediately, at the latest however within 14 days of receipt of the goods, concealed defects immediately after their discovery, otherwise the goods shall be deemed to have been approved. The date of receipt of the notice of defect by us shall be decisive in this respect.



**5.2** Claims for defects shall become statute-barred 12 months after delivery of the goods supplied by us to our customer. The above provisions shall not apply insofar as the German Civil Code (BGB) mandatorily prescribes longer periods for buildings and objects for buildings, recourse claims and construction defects. The limitation period in the case of a delivery recourse according to §§ 478, 479 BGB remains unaffected.

Our consent must be obtained before any goods are returned.

If, despite due diligence, the delivered goods show a defect which was already present at the time of the transfer of risk, we shall, at our discretion, either repair the goods or deliver replacement goods, subject to timely notification of defects. We shall always be given the opportunity to remedy the defect within a reasonable period of time.

**5.3** If the subsequent performance fails, the customer may - without prejudice to any claims for damages - withdraw from the contract or reduce the remuneration. The customer cannot demand compensation for futile expenses.

**5.4** Claims for defects shall not exist in the case of only insignificant deviations from the agreed quality, in the case of only insignificant impairment of usability, in the case of natural wear and tear and in the case of damage arising after the transfer of risk as a result of incorrect or negligent handling, excessive strain, unsuitable operating materials, defective construction work, unsuitable building ground or due to special external influences which are not assumed under the contract. If improper repair work or modifications are carried out by the customer or third parties, there shall also be no claims for defects for these and the resulting consequences.

**5.5** Claims by the customer for expenses incurred for the purpose of subsequent performance, in particular transport, travel, labour and material costs, shall be excluded insofar as the expenses increase because the goods delivered by us have subsequently been taken to a place other than the customer's place of business, unless the transfer is in accordance with their intended use.

**5.6** The purchaser's right of recourse against us shall only exist to the extent that the purchaser has not entered into any agreements with its customer that go beyond the statutory mandatory claims for defects. Furthermore, clause 5.5 shall apply accordingly to the scope of the purchaser's right of recourse against the supplier.

**5.7** Further or other claims of the customer against us and our vicarious agents due to a defect than those regulated here in clause 5. are excluded.

**5.8** In the event of fraudulent concealment of a defect or in the event of the assumption of a guarantee for the quality of the goods at the time of the transfer of risk (declaration by the seller that the object of purchase has a certain quality at the time of the transfer of risk and that the seller intends to be responsible for all consequences of its absence irrespective of fault), the rights of the purchaser shall be governed exclusively by the statutory provisions.

## **6** Limitation of liability

**6.1** We shall only be liable for damages - on whatever legal grounds - a) in the event of intent, b) in the event of gross negligence, c) in the event of culpable injury to life, limb or health, d) in the event of defects which we have fraudulently concealed or the absence of which we have guaranteed, e) in accordance with the mandatory rules of product liability.

**6.2** In the event of culpable breach of material contractual obligations, we shall also be liable in the event of slight negligence, but limited to the reasonably foreseeable damage typical for the contract.

**6.3** Further claims are excluded.

## **7** Right of retention and right of set-off

The customer shall only have the right of set-off if his counterclaims have been legally established, are undisputed or have been recognised by us. The customer is only entitled to exercise a right of retention insofar as his counterclaim is based on the same contractual relationship.

## **8.** final provisions

**8.1** This contract and the entire legal relationship between the parties shall be governed by the laws of the Federal Republic of Germany to the exclusion of the UN Convention on Contracts for the International Sale of Goods (CISG).

**8.2** Should individual provisions of these Terms and Conditions of Delivery and Payment be or become invalid or contain a loophole, the remaining provisions shall remain unaffected.

**8.3** Place of performance is Mörfelden-Walldorf.

**8.4** The exclusive place of jurisdiction for all disputes arising from this contract is Darmstadt/Germany.

Status: November 2022, FRANK GmbH, Mörfelden-Walldorf



# CADENAS - Configuration and drawings of FRANK chamber manifolds

Create the desired chamber manifold CAD model of the FRANK chamber manifolds. Without much effort or extra software, you can browser to create the chamber manifold in the required configuration and the required CAD format. You also have the option of downloading the configuration as a data sheet for your documentation or to send it to us as a request for quotation.

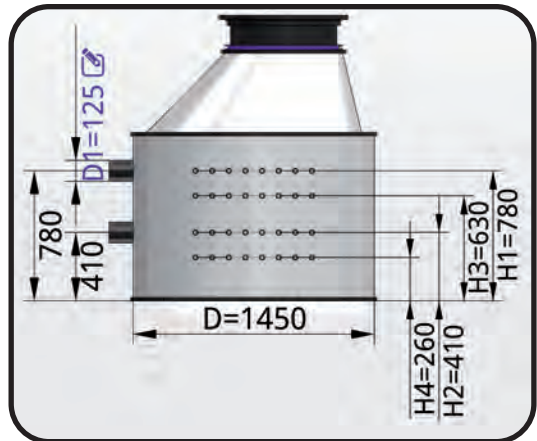
- Individual models and drawings in 2D or 3D
- Wide range of CAD formats to choose from
- Configurable connection dimensions and chamber height
- Configurable chamber equipment (according to FRANK standard)
- Matching product information and tender text

CNSORDERNO	L052-A4 W63 K32-2-KX 11-1
Bestellnummer	
LODEST	Achtkolben
LODEST	100-Zahl
LODLEVEL	350
LODLEVEL	100-Ebene
A	Schichtabdeckung
	A15 (DN400)
WP	Ausführung
	ohne Abzweigung
TS	Tastkopierbare Abdeckung
	650
NOC	Kreisanzahl
	2
D1	Warmepumpenanschluss
	ø63
D2	Kreisenschluss
	ø32
SP	Vorlauf
	PVC-KH
RP	Rücklauf
	PVC-KH
BE	Steuereinrichtung
	Erfüllungsbühnen
ACZ1	Rohrstutzen verschl.
	Ne
W	Stärke
	500
D	Tiefe
	470
H	höhe
	650
H1	Wärmpumpe Solarschicht
	200
H2	Wärmpumpe Solarschicht
	80
CTN	Zustellnummer
	84788997
INFO	PDF-Datei
	<a href="https://www.frank-gmbh.de/de-w/Assets/loca/cadenas/Produktinformation_Schicht_Typ-L_520.pdf">https://www.frank-gmbh.de/de-w/Assets/loca/cadenas/Produktinformation_Schicht_Typ-L_520.pdf</a>

Example: Cut-out configuration (L-520)



Example: 3D isometric view (H-1400-T)



Example: 3D front view with dimensioning (H-1400-T)

Click here for the configuration:

[FRANK-VTS CAD](#)



## Geothermal probes made of PE 100-RC



- Completely pre-assembled duplex probe acc. to VDI 4640
- PE 100-RC pipes are approved acc. to PAS 1075 for installation without sand embedding
- High resistance against external point load and stress cracking
- Pipes made of PE 100-RC can be installed and welded like PE 100
- Production is monitored according to the guidelines of SKZ Würzburg
- Pipes marked as geothermal probe
- Ascending length marking, point zero at probe foot
- Injection moulded, separable probe foot
- Installation with spacers is recommended
- Probe certificate online available
- Installation instructions can be downloaded from our website



Dimension (mm)	Length of probe	Description
32 x 3,0	50 m	
32 x 3,0	60 m	
32 x 3,0	70 m	
32 x 3,0	80 m	
32 x 3,0	90 m	
32 x 3,0	100 m	
32 x 3,0	110 m	
32 x 3,0	120 m	
32 x 3,0	130 m	
32 x 3,0	140 m	
32 x 3,0	150 m	
40 x 3,7	50 m	
40 x 3,7	60 m	
40 x 3,7	70 m	
40 x 3,7	80 m	
40 x 3,7	90 m	
40 x 3,7	100 m	
40 x 3,7	110 m	
40 x 3,7	120 m	
40 x 3,7	130 m	
40 x 3,7	140 m	
40 x 3,7	150 m	
40 x 3,7	160 m	
40 x 3,7	170 m	
40 x 3,7	180 m	
40 x 3,7/ 4,5	200 m	
40 x 3,7/ 4,5	220 m	
40 x 3,7/ 4,5	250 m	
40 x 3,7/ 4,5	275 m	
40 x 3,7/ 4,5	300 m	

SDR 9		SDR 11	
Item no. 400 ...	€/piece	Item no. 400 ...	€/piece
		32 2050	704,50
		32 2060	797,30
40 2200	2.182,00	32 2070	896,25
40 2220	2.375,00	32 2080	992,05
		32 2090	1.086,40
		32 2100	1.183,80
		32 2110	1.281,10
		32 2120	1.376,95
		32 2130	1.474,35
		32 2140	1.570,15
		32 2150	1.667,55
		40 2050	1.017,95
		40 2060	1.170,10
		40 2070	1.331,30
		40 2080	1.548,90
		40 2090	1.710,15
		40 2100	1.780,10
		40 2110	1.933,85
		40 2120	2.089,05
		40 2130	2.244,15
		40 2140	2.397,90
		40 2150	2.550,05
		40 2160	2.705,25
		40 2170	2.858,85
		40 2180	3.014,05
40 1200	3.844,75	40 2200	3.319,85
40 1220	4.202,25	40 2220	3.613,45
40 1250	4.736,30	40 2250	4.089,70
40 1275	5.182,10	40 2275	4.445,65
40 1300	5.627,90	40 2300	4.826,05

Other lengths available on request. For lengths below 50 m coil dimensions may differ.

Discount group 89

## FRANK GET-X geothermal probes made of PE-X



- Factory-welded duplex probe
- d 32 mm and d 40 mm
- FRANK SurePEX pipes made of crosslinked polyethylene (PE-Xa)
- Injection moulded, separable PE-X probe foot
- Best FNCT resistance
- Good flexibility - easy installation also at low temperatures
- Good thermic stability
- Universal connection method via electro fusion welding or clamping
- Ascending length marking, point zero at probe foot
- Working temperature -20°C up to +95°C
- Individual test certificate for each probe, online available



Dimension (mm)	Length of probe	Description
32 x 2,9	50 m	
32 x 2,9	60 m	
32 x 2,9	70 m	
32 x 2,9	80 m	
32 x 2,9	90 m	
32 x 2,9	100 m	
32 x 2,9	110 m	
32 x 2,9	120 m	
32 x 2,9	130 m	
32 x 2,9	140 m	
32 x 2,9	150 m	
40 x 3,7	50 m	
40 x 3,7	60 m	
40 x 3,7	70 m	
40 x 3,7	80 m	
40 x 3,7	90 m	
40 x 3,7	100 m	
40 x 3,7	110 m	
40 x 3,7	120 m	
40 x 3,7	130 m	
40 x 3,7	140 m	
40 x 3,7	150 m	
40 x 3,7	160 m	
40 x 3,7	170 m	
40 x 3,7	180 m	
40 x 3,7	200 m	
40 x 3,7	220 m	
40 x 3,7	250 m	
40 x 3,7	275 m	
40 x 3,7	300 m	

Item no. 430 ...	€/piece
32 0050	1.212,30
32 0060	1.354,40
32 0070	1.525,05
32 0080	1.690,80
32 0090	1.850,20
32 0100	2.008,45
32 0110	2.167,90
32 0120	2.327,40
32 0130	2.485,60
32 0140	2.645,05
32 0150	2.803,25
40 0050	1.764,25
40 0060	2.024,60
40 0070	2.285,05
40 0080	2.545,40
40 0090	2.804,55
40 0100	3.064,95
40 0110	3.327,80
40 0120	3.588,20
40 0130	3.848,60
40 0140	4.109,00
40 0150	4.369,40
40 0160	4.629,75
40 0170	4.890,15
40 0180	5.150,55
40 0200	5.672,60
40 0220	6.193,40
40 0250	6.974,55
40 0275	7.624,85
40 0300	8.275,30

Other lengths available on request. For lengths below 50 m coil may differ.

Discount group 126

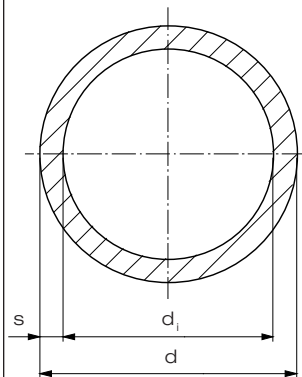
# Pipe

made of PE 100-RC, acc. to DIN 8074 / 75  
in standard length dimension-dependent  
of 5 m, and 6 m (above d 1600 mm = 5,8 m).

Article group **PE 100-RC Black**

21 766...

SDR 11	d	s	d <sub>i</sub>	PE kg/m
	20	2,0	16,0	0,11
	25	2,3	20,4	0,17
	32	3,0	26,0	0,28
	40	3,7	32,6	0,44
	50	4,6	40,8	0,68
	63	5,8	51,4	1,06
	75	6,8	61,4	1,48
	90	8,2	73,6	2,14
	110	10,0	90,0	3,18
	125	11,4	102,2	4,12
	140	12,7	114,6	5,13
	160	14,6	130,8	6,74
	180	16,4	147,2	8,51
	200	18,2	163,6	10,5
	225	20,5	184,0	13,3
	250	22,7	204,6	16,3
	280	25,4	229,2	20,5
	315	28,6	257,8	25,9
	355	32,2	290,6	32,9
	400	36,3	327,4	41,7
	450	40,9	368,2	52,8
	500	45,4	409,2	65,2
	560	50,8	458,4	81,7
	630	57,2	515,6	103,0



Other length on request

**DIBt**  
zugelassen  
für PE 100 und  
PE 100-RC  
bis d 630  
Schwarz

**FM**  
Approved  
erhältlich für PE 100  
und PE 100-RC  
Schwarz  
d 63 - d 630  
auf Anfrage

**DNV**  
erhältlich für PE 100  
und PE 100-RC  
bis d 500  
auf Anfrage

PE 100-RC	€/m
020 011 6	2,05
025 011 6	2,60
032 011 6	3,55
040 011 6	5,15
050 011 6	7,20
063 011 6	11,10
075 011 6	16,35
090 011 6	21,80
110 011 6	29,80
125 011 6	40,00
140 011 6	54,55
160 011 6	63,80
180 011 6	87,25
200 011 6	114,75
225 011 6	137,40
250 011 6	169,80
280 011 6	212,25
315 011 6	269,10
355 011 6	341,40
400 011 6	433,20
450 011 6	535,75
500 011 6	678,05
560 011 6	851,15
630 011 6	1.075,50

5 = 5 m Rod  
6 = 6 m Rod  
7 = 12 m Rod

Discount group  
dimension-dependent  
61  
60

# SurePEX pipe

peroxide cross-linked polyethylene (PE-Xa), according to DIN 16892 and 16893, optimally suitable for house connection pipes, in standard lengths of 6 m and 12 m, as ring coil in 50 m and 100 m length



SDR 11		d	s	d <sub>i</sub>	kg/m
	25	2,3	20,4	0,17	
	32	2,9	26,2	0,27	
	40	3,7	32,6	0,43	
	50	4,6	40,8	0,66	
	63	5,8	51,4	1,04	
	75	6,8	61,4	1,45	
	90	8,2	73,6	2,10	
	110	10,0	90,0	3,00	
	125	11,4	102,2	4,02	
	140	12,7	114,6	5,03	
	160	14,6	130,8	6,59	

Other length and dimension on request  
 SDR 7.4 on request  
 1) only drinking water pipes are supplied in 10 m lengths  
 2) only gas pipes are supplied in 12 m lengths

Article group:

for drinking water: SurePEX blue colored

43 706...

for gas: SurePEX yellow colored

43 709...

Art.-Nr.	€/m
025 011 0	4,20
032 011 0	6,60
040 011 0	9,70
050 011 0	13,70
063 011 0	20,85
075 011 0	31,45
090 011 0	42,80
110 011 0	61,00
125 011 0	a.A.
140 011 0	a.A.
160 011 0	a.A.

- 0 = 50 m ring coil
- 1 = 100 m ring coil
- 6 = 6 m rod
- 4<sup>1)</sup> = 10 m rod
- 7<sup>2)</sup> = 12 m rod

Discount group 119

## Injection pipe for Geothermal probes



- Extruded pipe made of PE-HD,
- Pipe labeled as injection pipe,
- Length marking in ascending order,
- Coils with the same inner diameter as FRANK Geothermal probes,
- Short-term up to 20 bar (at 20°C), not for permanent
- Suitable for printing applications,
- Available in the dimensions d 25, d 32.

Pipe-dimension	Length	Description
25 x 2,3	60 m	
25 x 2,3	80 m	
25 x 2,3	100 m	
25 x 2,3	120 m	
25 x 2,3	140 m	
25 x 2,3	160 m	
32 x 3,0	50 m	
32 x 3,0	60 m	
32 x 3,0	70 m	
32 x 3,0	80 m	
32 x 3,0	90 m	
32 x 3,0	100 m	
32 x 3,0	110 m	
32 x 3,0	120 m	
32 x 3,0	130 m	
32 x 3,0	140 m	
32 x 3,0	150 m	

other length and dimension on request

Item no. 2076 00...	€/m
25 011060	1,45
25 011080	1,45
25 0111	1,45
25 011120	1,45
25 011140	1,45
25 011160	1,45
32 011050	2,25
32 011060	2,25
32 011070	2,25
32 011080	2,25
32 011090	2,25
32 0111	2,25
32 011110	2,25
32 011120	2,25
32 011130	2,25
32 011140	2,25
32 011150	2,25

Discount group  
object-related



### Geothermal pipe - Sealing plug

- For safe closing of the Geothermal probe after the flow/pressure test or grouting
- tamper-proof lock
- no special tools required
- not suitable for pressure applications
- Material: POM.

for pipe d....[mm]
32 x 3,0
40 x 3,7
40 x 4,5

Item no. 400 ...	€ €/piece
32 0030	2,75
40 0030	3,05
40 0031	3,05

Discount group 117



## Accessories for geothermal probes



### Pipe junction

- To connect a duplex probe to the heat pump
- In probe fields, the individual probes can be combined in a way that the entire system can be closed with a single shut-off valve
- Flow-optimised geometry without cross section reduction
- Production monitoring according to the guidelines of SKZ Würzburg
- Material: PE 100-RC

Dimension (mm)	Length (mm)
32 x 32 x 40	ca. 170
40 x 40 x 50	ca. 200

Item no. 400 ...	€/piece
32 2003	38,85
40 2003	44,15

Discount group 117



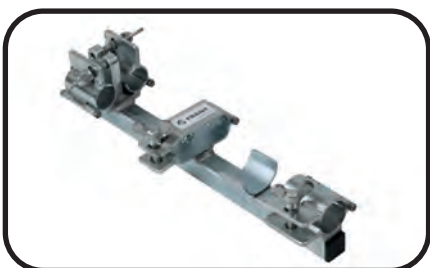
### Pipe junction with E-couplers

- To connect a duplex probe to the heat pump
- In probe fields, the individual probes can be combined in a way that the entire system can be closed with a single shut-off-valve
- Flow optimised geometry without cross section reduction
- Production monitoring according to the guidelines of SKZ Würzburg
- Material: PE 100-RC
- E-couplers separable if required

Dimension (mm)	Length (mm)	E-coupler (pieces)
25 x 25 x 32	ca. 191	2
25 x 25 x 32	ca. 236	3
32 x 32 x 40	ca. 215	2
32 x 32 x 40	ca. 265	3
40 x 40 x 50	ca. 250	2
40 x 40 x 50	ca. 300	3

Item no. 400 ...	€/piece
25 2023	60,05
25 2033	78,20
32 2023	65,50
32 2033	79,45
40 2023	86,80
40 2033	107,10

Discount group 117



### Fixation bar for pipe junctions

- Robust fixation bar for pipe junctions 32-32-40 or 40-40-50
- Facilitates stress-free welding as per DVS guidelines
- Safe fixation of pipes and junctions
- Quick fixing with clamp and wing nut

For dimension	Length [mm]
32-32-40	450
40-40-50	490

Item no. 400 ...	€/piece
32 0024	824,60
40 0024	876,75

Discount group 117

## Accessories for geothermal probes



### Spacer for probe pipe

- For fixing the probe pipe
- Prevents the pipes from touching each other
- Central opening suitable for injection pipe
- Material: PE

Dimension (mm)	Central opening (mm)
32	ca. 45
40	ca. 50

Item no. 400 ...	€/piece
32 0002	5,55
40 0002	6,35

Discount group 117



### Insertion and installation aid for probes

- Robust installation aid for probes d 32 and d 40 mm
- With suspension lug for attaching weights to the probe foot
- Centre sleeve and stop for thrust rod 3/4"
- Either pendular or fixed connection
- Material: steel

Description	Length (mm)
For probes made of PE 100-RC	ca. 215
For GET-X probes	ca. 235

Item no. 400 ...	€/piece
32 0029	16,25
32 0039	20,50

Discount group 117



### Insertion and installation aid "heavy version" for probes PE-100-RC

- Insertion aid in reinforced design for geothermal probes d 32 and d 40,
- with holes for attaching weights to the probe base,
- Centring sleeve and stop for push rods 3/4",
- Fixing of weights pendulum or rigid possible,
- Material: steel.

Description	Length [mm]
for probe d32	ca. 355
for probe d40	ca. 355

Item no. 400 ...	€/piece
32 0049	115,40
32 0059	117,45

Discount group 117

## Accessories for geothermal probes



### Decoiler

- To roll-up FRANK probes d 32 and d 40, from 50 m up to 300 m
- Galvanized steel
- Base frame with 2 lifting eyes
- Core diameter variable from 680 - 1000 mm
- Wheel diameter 1800 mm
- Variable width from 700 - 1700 mm
- Total width 2000 mm
- Weight 75 kg

#### Description

Coiler for geothermal probes

Item no.  
400 ...

€/piece

32 0020

2.500,60

Discount group 124



### Weight for geothermal probes

- To prevent the probe from floating
- With threaded connection (M8 allen screw) to attach the installation aid
- Either pendular or fixed connection
- Material: steel

Dimension OD x Length (mm)	Weight (kg)	No. of weights per pallet (pieces)
<b>Prices for acceptance of complete pallets</b>		
80 x 680	approx. 25,0	40
80 x 1040	approx. 40,0	25

Item no.  
400 ...

€/piece

on  
request

Dimension OD x Length (mm)	Weight (kg)	No. of weight (pieces)
<b>price for single pieces</b>		
80 x 680	ca. 25,0	1
80 x 1040	ca. 40,0	1

Item no.  
400 ...

€/piece

40 0005  
25 0005

214,40  
311,55

Discount Group 117



### Barrier tape

- Green barrier tape with 'Achtung Erdwärmeleitung' + FRANK-Logo
- Material PEw, resistant to ageing and frost, permanently readable
- Dimensions: thickness 0,15mm, width 40mm, length 250m
- Prevents from cost intensive damage of connecting pipes
- Facilitates locating connecting pipes and tubes
- Identification of the pipes to be protected
- Intensive warning characteristic

#### Dimension

0,15 mm x 40 mm x 250 m

Item no.  
400 ...

€/piece

32 0007

22,75

Discount group 117

## FRANK VTP® / Vertical Thermpipe



- The energetic solution for limited drilling depth
- Ideally applicable at high groundwater level
- High efficiency of extraction in areas of high ground water table
- Easy to insert by using hollow stem auger or conventional drilling auger with a protection pipe
- Complete pre-assembled element, insertion without any additional preparation
- Low drilling diameter
- Fixed pipe distance of support pipe
- Internal outlet flow
- Safe pipe connection by welded joint
- Pressure proofed with certificate
- Fitting length 6 m and 12 m, other length on demand
- can be used as spring
- Optional use for infiltration of rainwater
- Calculation tool see [www.frank-gmbh.de](http://www.frank-gmbh.de)



Inserting of VTP® in the borehole with hollow stem auger

Type	Outside diameter (mm)	Installation length [m]	Media pipe d [mm]
VTP 260	260	6	25
VTP 260	260	9	25
VTP 260	260	12	25
VTP 360	360	6	32
VTP 360	360	9	32
VTP 360	360	12	32

Item no. 400 ...	€/piece
200256	779,65
200259	890,70
200257	967,05
280326	955,50
280329	1.186,85
280327	1.314,05

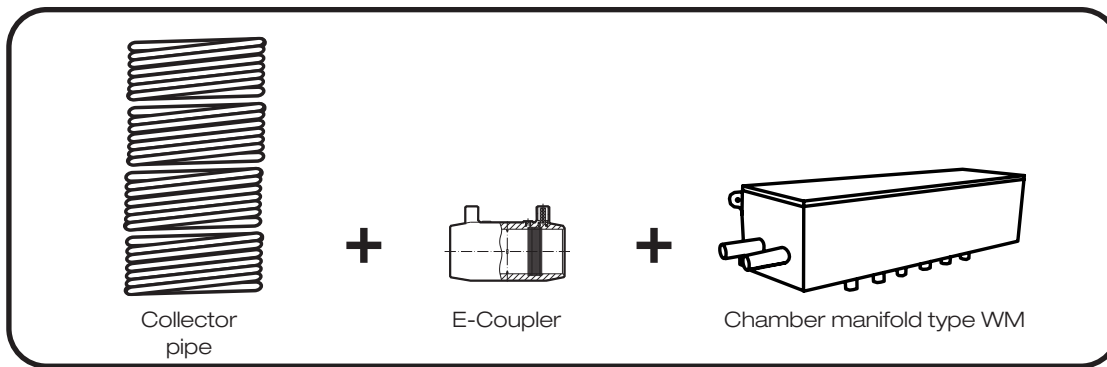
Discount group 61

## Horizontal collector system



- Complete set with prefabricated Chamber manifold, collector pipe and connection fittings
- Easy connection of collector circuit with electro fusion couplers
- Space-saving Chamber manifold for wall mounting
- Lockable cover plate with sealing
- Complete preassembled manifold with shut-off valves and flow meters
- Flow and return with fill- and drain valves
- Safe connection of collector circuits by welding with electro fusion fittings
- Calculation tool see [www.frank-gmbh.de](http://www.frank-gmbh.de)

Additional accessory for wall penetration available:  
Ring-Seal or FRANK puddle flange

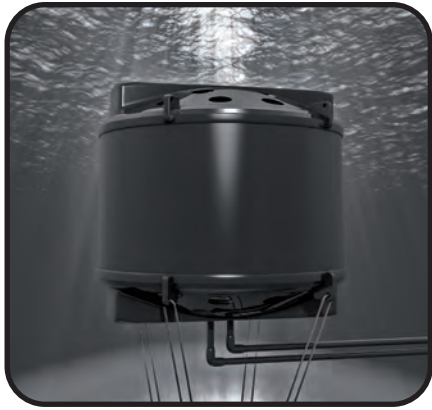


Set no.:	No. of circuits (coils) pc.	Length collector pipe per coil [m]	Media pipe d [mm]	Heat pump connection d [mm]
1	3	100	32	40
2	4	100	32	40
3	5	100	32	40
4	6	100	32	40
5	7	100	32	40
6	8	100	32	40

Item no. 402 ...	€/piece
3285 307	1.432,90
3285 407	1.715,70
3285 507	1.975,15
3285 607	2.270,85
3285 707	2.566,55
3285 807	2.864,55

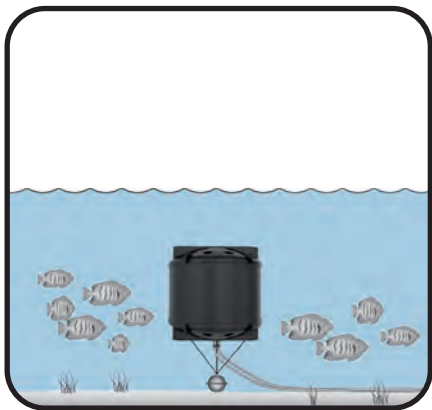
Discount group 118

# FRANK WET / Water heat exchanger

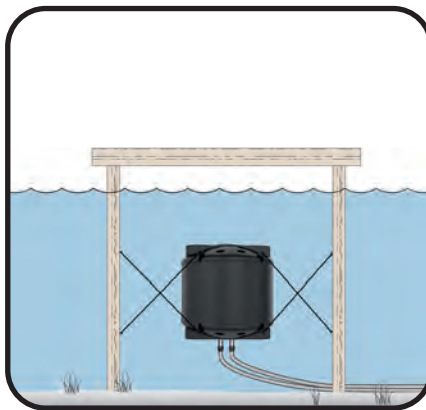


- For extracting energy from lakes and rivers
- For heating and cooling
- Different performance levels
- Compact heat exchanger with high degree of efficiency
- Fully made of PE material
- No metallic components – no corrosion
- No movable parts – no wear
- Solid protective casing with fixing point for anchoring
- Easy installation and handling because of low weight
- Safe connection with e-couplers

For higher performance several units can be connected in parallel



Installation with anchor ball on the ground.



Alternatively secured to posts, jetties or docks.

Description	Energy approx <sup>1)</sup> [kW]	Dimension Ø x h [mm]	Connection [mm]	Direction spigot
FRANK WET Type 1	3-6	1220 x 600	PE 100 spigot d 40 mm	up down
FRANK WET Type 2	7-10	1220 x 900	PE 100 spigot d 40 mm	up down
FRANK WET Type 3	11-13	1220 x 1200	PE 100 spigot d 40 mm	up down

1) Possible extraction capacity depending on water temperature

Item no. 400	€/piece
1010 11	6.135,65
1010 21	6.135,65
1010 12	9.089,80
1010 22	9.089,80
1010 13	11.930,40
1010 23	11.930,40

Discount group 124



## Flexible connecting pipe for heat exchangers for lakes

- Flexible connecting pipe d40
- Brine resistant material without metallic tissue
- Spigot in PE 100 on either side for e-fusion welding

Description
Set flexible connecting Pipe for heat exchangers for lakes, length 2 m

Item no. 400 ...	€/Set
20 2025	907,95

Discount group 121

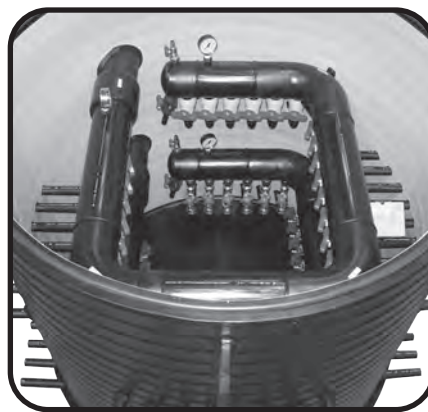
## PKS®-Thermpipe: Thermal energy from the ground and sewage



- Making use of the energy taken from waste water and the surrounding ground
- Constant performance as energy extraction does not depend on sewage flow
- Reliable solution based on FRANK PKS®-spiral pipe technology
- Smooth inner surface, no built-in components necessary
- Easy collection to FRANK Chamber manifolds
- Welding connection of Thermpipe with electro fusion socket or extrusion weld and stub end
- Individual thermal and static design as per project requirements



Parallel installation of connection pipe close to Chamber manifold



Manifold chamber to connect the brine circuits



Easy connection of connection pipe via electro fusion coupler

Description	Pipe dimension [mm]	Length [m]
PKS®-Thermpipe	DN 500 to DN 1600*	3 to 6 m

\*other pipe dimensions on request

Item no.	€/piece
	on request



## Overview chamber manifolds





Series		Wall mounting		Series 400	Series 500
 Design Type V      Design Type L					
Type		WM	L-560	R-400 S-400	L-500 L-520
Circuits		2-8	2-6	2-6	2-12 / 2-8
Dimensions (mm)	Diameter / L x W	600-1200 x 230	500-750 x 360	400	500 x 500 / 650
	Height	275	500	650	650
Cover plate	Load class	-	-	A 15	A 15
	Telescopic cover	-	-	○	○
Optional balancing valve		-	-	-	○

Series		Telescopic Chamber manifolds			
 Design Type V      Design Type H					
Type		L-1200-T L-1400-T <b>NEW</b>	V-1200-T V-1300-T	H-1400-T	H-1500-T
Circuits		2-16/ 2-20	2-24	11-32	33-40
Dimensions (mm)	Diameter	1150/ 1400	1150	1400	1500
	Height (depending on number of circles)	1350 - 1500/ 1600 - 1750	1350 - 1600	1600-1750	1700 - 1850
Cover plate	Load class	A 35 / B 125 / D 400	A 35 / B 125 / D 400	A 35 / B 125 / D 400	A 35 / B 125 / D 400
	Telescopic cover	●	●	●	●
Optional balancing valve		○	○ up to 16 circuits	○	○
with verifiable static calculation (up to SLW 60)		-	-	-	-

● = Standard    ○ = Optional

**Please refer to our Product Information of the relevant chamber manifolds for further details on configuration and dimensions.**



Series 500	Series 600	Telescopic compact chambers manifolds	
			
<b>L-540</b>	<b>V-600</b>	<b>L-750-T</b>	<b>L-800-T</b>
2-6	2-12	2-10	4-12
500 x 500 / 650	630	750	738x803/873
650	850	850-1000	850-1000
A 15	A 35	A 35 / B 125 / D 400	A 35 / B 125 / D 400
○	-	●	●
○	-	○	○

Heavy-Duty Spiral-Pipe Chambers			
			
<b>H-1800-T</b>	<b>H-1500-WR</b>	<b>H-1800-WR</b>	<b>Horizontal spiral pipe chamber manifold HL-.....-WR</b>
41-52	12-40	41-52	4-200
1800	1500	1800	1800 - 2200
2160	1850	2160	2000 - 2800
A 35	D 400	D400	A 35 / B 125 / D 400
●	-	-	○
○	○	○	○
-	●	●	●

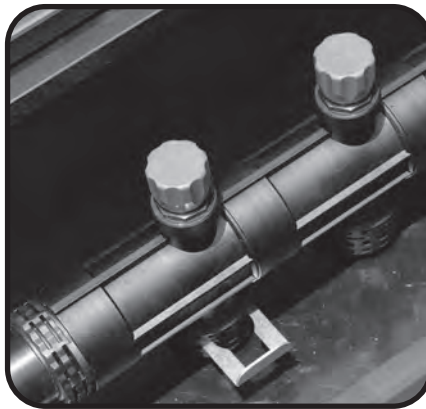
## Chamber manifolds type WM (wall mounting)



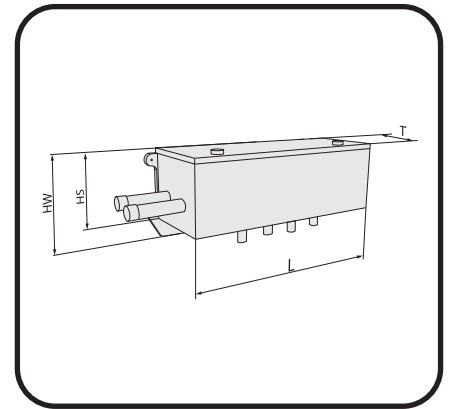
- Compact chamber for probes, horizontal or basket collectors
- Space saving wall mounting
- Chamber completely made of PE
- Heatpump connection with spigots d40
- Spigots to circuits through chamber's bottom, welded
- Shut-off valves in flow and return
- Flow meter with regulating valve in flow
- Collector pipe with 1/2" fill and drain valve
- Hinged and lockable cover with sealing
- Pressure tested manifold
- Max. flow rate 7,7 m³/h



Chamber type WM with flowmeters



Chamber type WM with shut-off valve



Compact water tight Chamber manifold

Circuits	Pipe diameter [mm]	Flow meter	Length L [mm]	Depth T [mm]	Height Chamber HS / wall plate HW [mm]
2	32	4-20 l/min	591	270	230 / 295
3	32	4-20 l/min	692	270	230 / 295
4	32	4-20 l/min	793	270	230 / 295
5	32	4-20 l/min	894	270	230 / 295
6	32	4-20 l/min	995	270	230 / 295
2	32	7-32 l/min	591	270	230 / 295
3	32	7-32 l/min	692	270	230 / 295
4	32	7-32 l/min	793	270	230 / 295
5	32	7-32 l/min	894	270	230 / 295

Item no. 400 ...	€/piece
32 85207	751,50
32 85307	831,05
32 85407	939,75
32 85507	1.019,20
32 85607	1.126,75
32 84207	751,50
32 84307	831,05
32 84407	939,75
32 84507	1.019,20

Discount group  
118

## Chamber manifolds type Typ L-560

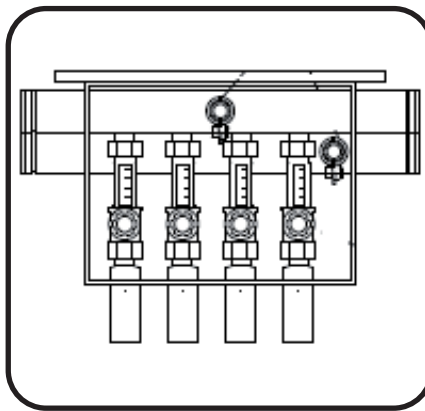


- Space-saving, compact chamber manifold for wall mounting,
- with horizontal distributor/collector, Heat pump connection d 75 mm, on both sides
- flow with PVC ball valve,
- return with flow meter 5-42 l/min, adjustable and lockable,
- manifold with 1" filling and venting valve,
- Radially removable valves,
- all pipe connections welded to the chamber wall,
- Manifold with pressure test certificate,
- Plastic manhole cover, watertight, lockable.

For installation with standing water and for higher static loads, a separate design is required.



Type L-560



Type L-560

Circuits	Pipe diameter* [mm]	Heat pump connection* [mm]	Length [mm]	Width [mm]	Height [mm]
2	d 40	d 75	500	360	540
3	d 40	d 75	500	360	540
4	d 40	d 75	650	360	540
5	d 40	d 75	650	360	540
6	d 40	d 75	750	360	540

\* other diameters on request

Item.-No. 400408...	€/piece
02057 311	1.126,00
03057 311	1.317,35
04057 311	1.508,65
05057 311	1.737,40
06057 311	1.928,60

Discount group  
118

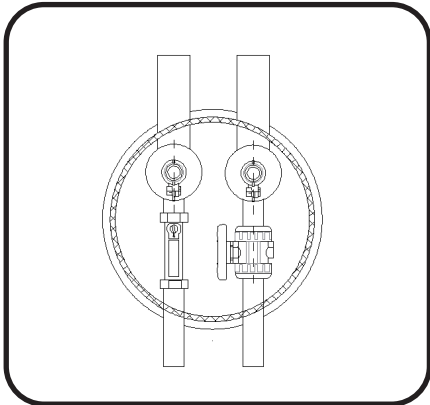
## Chamber manifolds D 400

**Discontinued item**



- Factory pre-assembled Chamber manifold with integrated manifold
- To connect geothermal probes, collectors and energy baskets
- Chamber diameter only 400 mm
- PE cover plate lockable, surface waterproof
- Chamber and cover plate pedestrian loads only up to 200 kg
- Manifold/collector d 110, vertical design
- Heat pump connection d 40 mm
- Flow with PVC ball valve
- Return with flow meter 5-42 l/min.
- Radially removable valves
- All pipe connections are welded to Chamber manifold
- Collector pipe with 1" fill and drain valve
- All pipe connections are welded to Chamber manifold
- Pressure tested

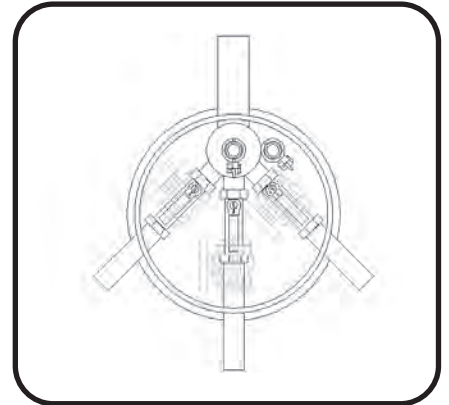
For special versions of high ground water levels or static load a separate calculation is required.



Type R 400: 2-4 Circuits



Type R 400: 2-4 circuits



Type S 400: 5-6 circuits

Circuits	Type	Probe connection [mm]	Chamber manifold height [mm]	Heat pump connection [mm]	Diameter [mm]
2	R-400	d 40	650	d 63	400
3	R-400	d 40	650	d 63	400
4	R-400	d 40	650	d 63	400
5	S-400	d 40	650	d 63	400
6	S-400	d 40	650	d 63	400

Item no.: 400408 ...	€/piece
02046 311	949,10
03046 311	1.120,90
04046 311	1.293,85
05046 311	1.482,00
06046 311	1.653,75

Discount group 118



Option:  
Height-adjustable telescopic riser for HDPE Chamber manifolds covers class A15 as per DIN EN 124 / DIN 1229.

- For chambers manifolds type 500, 520, 540 and type D 400
- Easy adjusting of height
- Tight sealing with O-ring
- Suitable for retrofitting

Min. height Riser [mm]	variable height [mm]
300	150

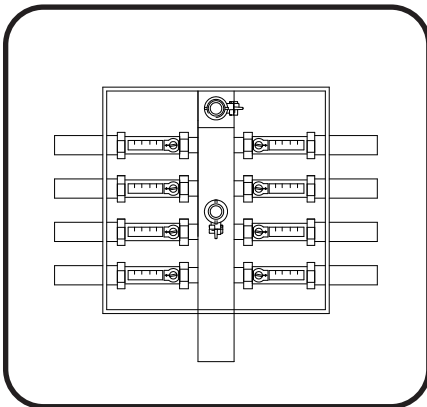
Item no. 400408...	€/piece
00000 022	118,80

## Chamber manifolds type L-500 / L-520



- Compact distribution Chamber manifold with integrated distributor pipe / collector
- Horizontal distributor pipe
- Flow with PVC ball valves
- Return with flowmeter 5-42 l/min., adjustable and lockable
- Collector pipe with 1" fill and drain valve
- All valves radially removable
- All pipe connections are welded to Chamber manifold
- Pressure tested manifold (certificate available)
- PE cover, tight to surface water, lockable
- Class A 15 as per DIN EN 124 / DIN 1229

For installations in high ground water level or in case of increased statical load a different design is required.



Option:  
Height-adjustable telescopic riser for HDPE Chamber manifolds covers class A15 as per DIN EN 124 / DIN 1229.

- For chambers manifolds type 500, 520, 540 and type D 400
- Easy adjusting of height
- Tight sealing with O-ring
- Suitable for retrofitting

Min. height Riser [mm]	variable height [mm]
300	150

Item no. 400408...	€/piece
00000 022	118,80

### Type L-500 with flowmeter 2-12 l/min, ideal for horizontal collectors

Circuits	Pipe diameter [mm]	Connection to circuit	heat pump connection [mm]	Length [mm]	Width [mm]	Height [mm]
2	d 32	on one side	d 63	500	500	650
3	d 32	on one side	d 63	500	500	650
4	d 32	on one side	d 63	500	500	650
5	d 32	on one side	d 63	500	500	650
6	d 32	on one side	d 63	500	500	650
7	d 32	on both side	d 63	500	500	650
8	d 32	on both side	d 63	500	500	650
9	d 32	on both side	d 63	650	500	650
10	d 32	on both side	d 63	650	500	650
11	d 32	on both side	d 63	650	500	650
12	d 32	on both side	d 63	650	500	650

Item no. 400328...	€/piece
02256 361	846,25
03256 361	988,80
04256 361	1.131,40
05256 361	1.270,50
06256 361	1.410,75
07256 361	1.553,30
08256 361	1.693,50
09256 361	2.037,10
10256 361	2.179,70
11256 361	2.318,80
12256 361	2.460,20

Discount group 118

### Type L-520 with flowmeter 5-42 l/min. For geothermal probes

Circuits	Pipe diameter [mm]	Connection to circuit	heat pump connection [mm]	Length [mm]	Width [mm]	Height [mm]
2	d 40	on one side	d 63	500	500	650
3	d 40	on one side	d 63	500	500	650
4	d 40	on one side	d 63	500	500	650
5	d 40	on both sides	d 63	500	600	650
6	d 40	on both sides	d 63	500	600	650
7	d 40	on both sides	d 63	500	600	650
8	d 40	on both sides	d 63	500	600	650

Item no. 400408...	€/piece
02256 311	888,30
03256 311	1.039,10
04256 311	1.192,15
05256 311	1.450,45
06256 311	1.602,35
07256 311	1.751,95
08256 311	1.903,95

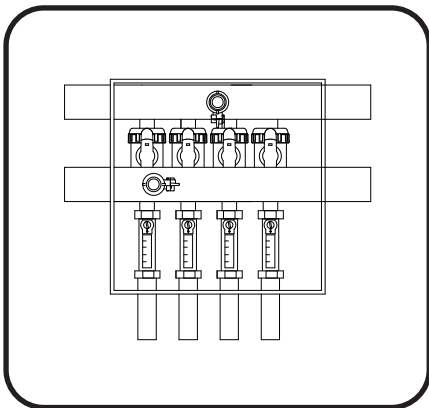
Discount group 118

## Chamber manifolds type L-540



- Compact distribution Chamber manifold with integrated distributor pipe/ collector
- Ideal for installation next to the house wall
- Horizontal pipe
- Connection to heat pump on both sides
- All circuit connections on one side
- Flow with PVC ball valves
- Return with flow meter 5-42 l/min., adjustable and lockable
- Manifold beam pipe with 1" fill and drain valve
- All valves are radially removable
- All pipe connections are welded to Chamber manifold
- Pressure tested manifold (certificate available)
- PE cover, tight to surface water, lockable  
Class A 15 as per DIN EN 124 / DIN 1229

For installations in high ground water level or in case of increased statical load a different design is required.



Option:  
Height-adjustable telescopic riser for HDPE Chamber manifolds covers class A15 as per DIN EN 124 / DIN 1229.

- For chambers manifolds type 500, 520, 540 and type D 400
- Easy adjusting of height
- Tight sealing with O-ring
- Suitable for retrofitting

Min. height Riser [mm]	variable height [mm]
300	150

Item no. 400408...
00000 022

€/piece
118,80

### Type L-540 with flowmeter 5-42 l/min. For geothermal probes

Circuits	Pipe diameter [mm]	Connection to circuit	heat pump connection [mm]	Length [mm]	Width [mm]	Height [mm]
2	d 40	on one side	d 63	500	500	650
3	d 40	on one side	d 63	500	500	650
4	d 40	on one side	d 63	500	500	650
5	d 40	on one side	d 75	650	500	650
6	d 40	on one side	d 75	650	500	650

Item no. 400408...	€/piece
02256 317	1.027,40
03256 317	1.182,85
04256 317	1.334,75
05256 317	1.518,25
06256 317	1.673,65

Discount group  
118

## Chamber manifolds type V-600

**Discontinued item**

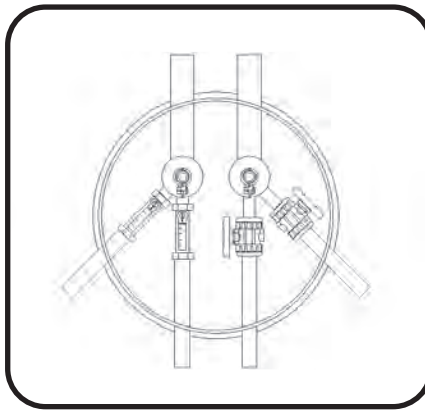


- Space saving, compact distribution Chamber manifold with vertical manifold/ collector
- Chamber manifold diameter 630mm
- Circuit connection d 40mm
- Flow with PVC ball valves
- Return with flow meter 5-42 l/min., adjustable and lockable
- Manifold beam pipe with 1" fill and drain valve
- All valves are radially removable
- All pipe connections are welded to Chamber manifold
- Pressure tested manifold (certificate available)
- PE cover, tight to surface water, lockable  
Class A 35 as per ISO 15398

For installations in high ground water level or in case of increased statical load a different design is required.



Type V-600



Type V-600

Circuits	Pipe diameter* [mm]	heat pump connection* [mm]	Height [mm]	Diameter [mm]
2	d 40	d 63	850	630
3	d 40	d 63	850	630
4	d 40	d 63	850	630
5	d 40	d 63	850	630
6	d 40	d 63	850	630
7	d 40	d 63	850	630
8	d 40	d 63	850	630
9	d 40	d 63	850	630
10	d 40	d 63	850	630
11	d 40	d 63	850	630
12	d 40	d 63	850	630

\* other diameters on request

Item no. 400408...	€/piece
02066 311	1.444,60
03066 311	1.617,60
04066 311	1.789,35
05066 311	1.962,35
06066 311	2.135,30
07066 311	2.307,10
08066 311	2.478,85
09066 311	2.651,85
10066 311	2.824,80
11066 311	2.996,65
12066 311	3.168,40

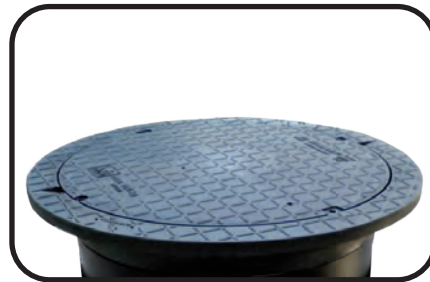
Discount group  
118

## Chamber manifolds Type L-750-T



- Premanufactured manifold chamber with integrated distributor/collector
  - Height-adjustable cover for easy adjustment (+150mm)
  - Horizontally arranged collector
  - Circuit connections to both sides
  - Circuit connection d 32mm or d 40mm
  - Flow with PVC ball valve
  - Return with flow meter 5-42 l/min., adjustable and lockable
  - Manifold beam with 1" fill and drain valve
  - All valves radially removable
  - All pipe connections are welded to Chamber manifold
  - Pressure tested manifold (certificate available)
  - PE cover, tight to surface water, lockable  
Class A 35 as per ISO 15398
- Option: chamber cover up to class D 400 possible

For installations in high ground water level or in case of increased statical load a different design is required



Circuits	Pipe diameter* [mm]	heat pump connection* [mm]	Height [mm]	Diameter [mm]
2	d 40	d 63	850 - 1000	750
3	d 40	d 63	850 - 1000	750
4	d 40	d 63	850 - 1000	750
5	d 40	d 63	850 - 1000	750
6	d 40	d 63	850 - 1000	750
7	d 40	d 63	850 - 1000	750
8	d 40	d 63	850 - 1000	750
9	d 40	d 63	850 - 1000	750
10	d 40	d 63	850 - 1000	750

- Option balancing valves
- Option shut-off valve in heat pump circuit
- Option chamber cover iron, class B 125 as per DIN EN 124 / DIN 1229
- Option chamber cover iron, class D 400 as per DIN EN 124 / DIN 1229

\*other diameters on request

Item no. 400408...	€/piece
02176313	1.794,05
03176313	1.929,65
04176313	2.066,30
05176313	2.200,70
06176313	2.339,80
07176313	2.474,25
08176313	2.612,05
09176313	2.748,90
10176313	2.833,30

	148,00
	339,50
	766,50
	1.507,35

Discount group  
118

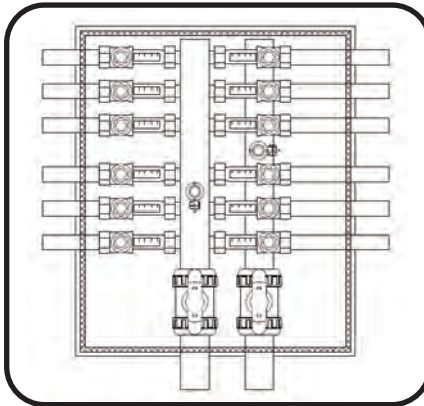


# Chamber manifolds Type L-800-T



- Compact distribution Chamber manifold with integrated distributor pipe/ collector
- Horizontal pipe,
- Shut-off valve in circuit to heat pump,
- Flow with PVC ball valves,
- Return with flow meter 5-42 l/min., adjustable and lockable,
- Manifold beam with 1" fill and drain valve
- All valves are radially removable
- All pipe connections are welded to Chamber manifold
- Pressure tested manifold (certificate available)
- PE cover, tight to surface water, lockable  
Class A 35 as per ISO 15398

For installations in high ground water level or in case of increased statical load a different design is required.



Circuits	Pipe diameter* [mm]	Connection to Circuit	Heat pump connection* [mm]	Länge [mm]	Breite [mm]	Höhe [mm]
4	d 40	on one side	d 75	500	500	650
5	d 40	on both side	d 75	500	500	650
6	d 40	on both side	d 75	500	500	650
7	d 40	on both side	d 75	500	500	650
8	d 40	on both side	d 75	500	500	650
9	d 40	on both side	d 75	650	500	650
10	d 40	on both side	d 75	650	500	650
11	d 40	on both side	d 90	650	500	650
12	d 40	on both side	d 90	650	500	650

- Option balancing valves
- Option chamber cover iron, class B 125 as per DIN EN 124 / DIN 1229
- Option chamber cover iron, class D 400 as per DIN EN 124 / DIN 1229

\*other diameters on request

Item-No. 400408...	€/piece
04087 113	2.773,15
05087 113	2.913,90
06087 113	3.056,80
07087 113	3.201,90
08087 113	3.342,70
09087 113	3.485,65
10087 113	3.628,60
11087 113	3.835,30
12087 113	3.978,20

	148,00
	766,50
	1.507,35

Discount group 118

## Chamber manifolds type L-1200-T



- Premanufactured manifold chamber with integrated distributor/collector
- Height-adjustable cover for easy adjustment (+150mm)
- Horizontally arranged collector
- Shut-off valve to heat pump in circuit
- Circuit connection d 32mm, d 40mm or d 50mm
- Flow with PVC ball valve
- Return with flow meter 5-42 l/min., adjustable and lockable
- Collector with 1" fill and drain valve
- All valves radially removable
- All pipe connections are welded to Chamber manifold
- Pressure tested manifold (certificate available)
- PE cover, tight to surface water, lockable  
Class A 35 as per ISO 15398
  
- Option: chamber cover up to class D 400 possible



For installations in high ground water level or in case of increased statical load a different design is required

Circuits	Pipe diameter* [mm]	heat pump connection* [mm]	Height [mm]	Diameter [mm]
3	d 40	d 63	1350 - 1500	1150
4	d 40	d 63	1350 - 1500	1150
5	d 40	d 63	1350 - 1500	1150
6	d 40	d 63	1350 - 1500	1150
7	d 40	d 63	1350 - 1500	1150
8	d 40	d 63	1350 - 1500	1150
9	d 40	d 63	1350 - 1500	1150
10	d 40	d 63	1350 - 1500	1150
11	d 40	d 90	1350 - 1500	1150
12	d 40	d 90	1350 - 1500	1150
13	d 40	d 90	1350 - 1500	1150
14	d 40	d 90	1350 - 1500	1150
15	d 40	d 90	1350 - 1500	1150
16	d 40	d 90	1350 - 1500	1150

Item no. 400408...	€/piece
03126 113	2.885,60
04126 113	3.063,20
05126 113	3.242,05
06126 113	3.419,70
07126 113	3.598,50
08126 113	3.776,15
09126 113	3.952,65
10126 113	4.129,05
11126 113	4.859,50
12126 113	5.072,20
13126 113	5.283,70
14126 113	5.494,10
15126 113	5.708,00
16126 113	5.919,50

	148,00
	on request
	766,50
	1.507,35

- Option: balancing valves (up to 10 circuits)
- Option: balancing valves (up to 10 - 16 circuits)
- Option: Chamber manifold cover iron, class B 125 as per DIN EN 124 / DIN1229
- Option: Chamber manifold cover iron, class D 400 as per DIN EN 124 / DIN1229

\*other diameters on request

Discount group  
118

## Chamber manifolds type V-1200-T / V 1300-T

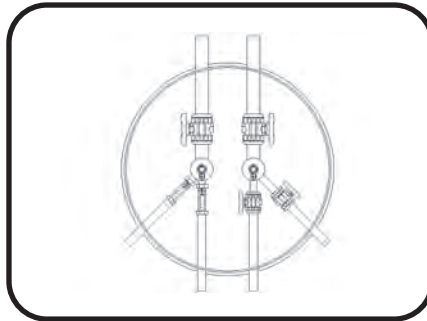


- Premanufactured manifold chamber with integrated distributor/collector
- Height-adjustable cover for easy adjustment (+150 mm)
- Vertically arranged collector
- Shut-off valve in circuit to heat pump
- Circuit connection d 32mm, d 40 mm or d 50 mm
- Flow with PVC ball valve
- Return with flow meter 5-42 l/min., adjustable and lockable
- Collector with 1" fill and drain valve
- All valves radially removable
- All pipe connections are welded to Chamber manifold
- Pressure tested manifold (certificate available)
- PE cover, tight to surface water, lockable  
Class A 35 as per ISO 15398
  
- Option: chamber cover up to class D 400 possible

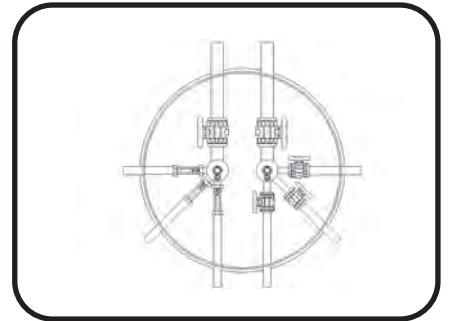
For installations in high ground water level or in case of increased statical load a different design is required



Type V-1200-T



Type V-1200-T



Type V-1300-T

Circuits	Type	Pipe diameter [mm]	Heat pump connection [mm]	Height [mm]	Diameter [mm]
2-14	V-1200-T	d 32, d 40 or d 50	d 63 bis d 125	1350 - 1500	1150
15-16				1450 - 1600	
11-21	V-1300-T	d 32, d 40 or d 50	d 63 bis d 140	1350 - 1500	1150
22-24				1450 - 1600	

Item no. 400408...	€/piece
order-related	on request
	on request

Option: balancing valves

Option: Chamber manifold cover iron, class B 125 as per DIN EN 124 / DIN1229

Option: Chamber manifold cover iron, class D 400 as per DIN EN 124 / DIN1229

\*other diameters on request

Discount group  
118

## Chamber manifolds Type H-1400-T / H-1500-T / H-1800-T



- Premanufactured manifold chamber with integrated distributor/collector
- Height-adjustable cover for easy adjustment (+150mm)
- Horizontally arranged collector
- Shutt-off valve in circuit to heat pump
- Circuit connection d 32mm, d 40mm or d 50mm
- Flow with PVC ball valve
- Return with flow meter 5-42 l/min., adjustable and lockable
- Collector with 1" fill and drain valve
- All valves radially detachable
- All pipe connections are welded to Chamber manifold
- Pressure tested manifold (certificate available)
- PE cover, tight to surface water, lockable  
Class A 35 as per ISO 15398

For installations in high ground water level or in case of increased statical load a different design is required.



Typ H-1400-T / H-1500-T



Typ H-1800-T

Circuits	Type	Pipe diameter* [mm]	Heat pump connection* [mm]	Height [mm]	Diameter [mm]
11 - 32	H-1400-T	d 32, d 40 oder d 50	90 - 140	1600 - 1750	1400
33 - 40	H-1500-T	d 32, d 40 oder d 50	110 - 140	1700 - 1850	1500
41 - 52	H-1800-T	d 32, d 40 oder d 50	110 - 200	2100 - 2250	1800

Option: balancing valves

Option: Chamber manifold cover iron, class B 125 as per DIN EN 124 / DIN1229 (not for H-1800-T)

Option: Chamber manifold cover iron, class D 400 as per DIN EN 124 / DIN1229 (not for H-1800-T)

\* Dimension depends on total flow volume / number of circuits

Item.-No. 400408...	€/piece
order-related	on request
	on request

Discount group  
118

## Chamber manifolds made of FRANK spiral pipe



Vertical chamber manifolds (H-1500 / H-1800 and other models)

- Distribution Chamber manifolds with casing made of spiral pipe for high load
- Static calculation for car or truck load as well as for high ground water level possible
- Including verifiable static calculation
- Pressure tested collector with horizontally or vertically arranged distributor
- Manifold cover with concrete plates distributing the load into the ground
- Optional with dome made of PE for secure incorporation into concrete base plate



Horizontal chamber manifolds (submarine type)

- Chamber manifolds with spiral pipe corpus for up to 200 circuits. Spacious interior.
- Chamber casing made of spiral pipe for high load
- Static calculation for car or truck load as well as for high ground water level possible
- Including verifiable static calculation
- Pressure tested collector with horizontally arranged distributor
- Height adjustable Chamber manifold dome for easy height-adjustment of cover
- Optional with Chamber manifold dome made of PE for secure integration into concrete floor slab

Description

Chamber manifolds made of FRANK spiral pipe

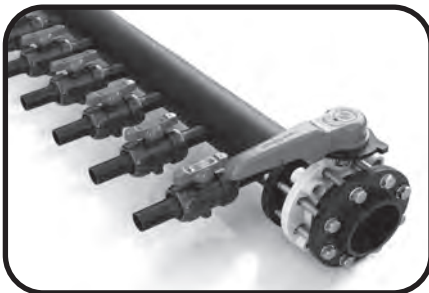
Item no.

order related

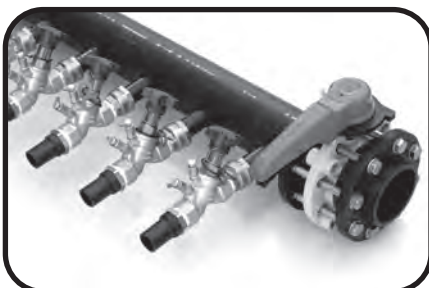
€/piece

on request

## Plastic brine manifold, customized version



- PE 100 manifold with big dimensioned collector pipe from d 90 mm
- The position of the connection is adaptable to the structural conditions
- Connections alternatively as flanged version, flat sealing connection, compression fitting or spigot
- With fill and drain valve at the collector pipe
- Connection to the probe alternatively via ball valve, flow meter or balancing valve (e.g. Hydrocontrol)
- Manometer and thermometer optional
- Dimensioning and design of the components will be done acc. to your requirements
- Questionnaire available on our website
- Pressure tested



Description

Plastic brine manifold made of PE 100

Item no.

order related

€/piece

on request

# The FRANK system for low temperature / brine local heating network

**NEW**

Geothermal Probes | Collectors | Chamber manifolds | Pipes | Fittings |

When heating individual buildings, each heat pump has its own heat source. The economic solution of using heat pumps in local heating networks to supply entire neighbourhoods and settlements is becoming more and more widespread. In this case, the energy generated from one or more sources is distributed to the surrounding buildings in a heating network. In this way, geothermal energy can be used even in densely built-up settlements, for example, without having to develop a heat source on each individual property.

In a classic local heating network, heat is generated by a central heat pump. The heat is then distributed to the individual buildings at a high temperature level. In contrast, in a cold local heating network, the geothermal heat is distributed throughout the entire network at a low temperature level and is only brought to the required heating temperature in the buildings by a heat pump.

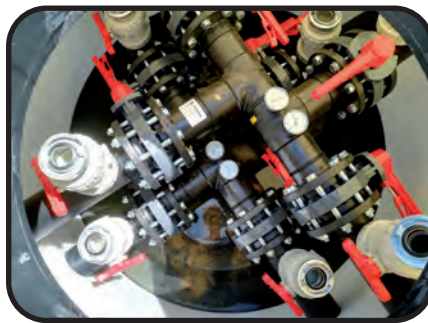
The low temperatures in the network prevent heat loss. The piping of the network even contributes significantly to the heat again. Another advantage is the possibility to cool buildings ecologically in summer.

FFRANK components for cold local heating networks are adapted to the specific requirements of modern networks:

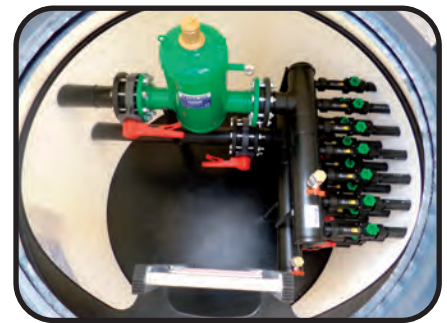
- Geothermal probes and collectors for supplying entire construction areas with sustainable thermal energy,
- Factory-made chamber manifolds for connecting probe fields and agrothermic collectors,
- The suitable chamber for every section of the network,
- Pressure tapping valves for connecting the ring mains to the buildings, PE brine manifolds for pumping stations and heating centres,
- ThermLine pipes for ring and house connection lines,
- Comprehensive range of electrofusion and connection parts for the individual implementation of your building project.



Superior main chamber manifold



Inspection chambers

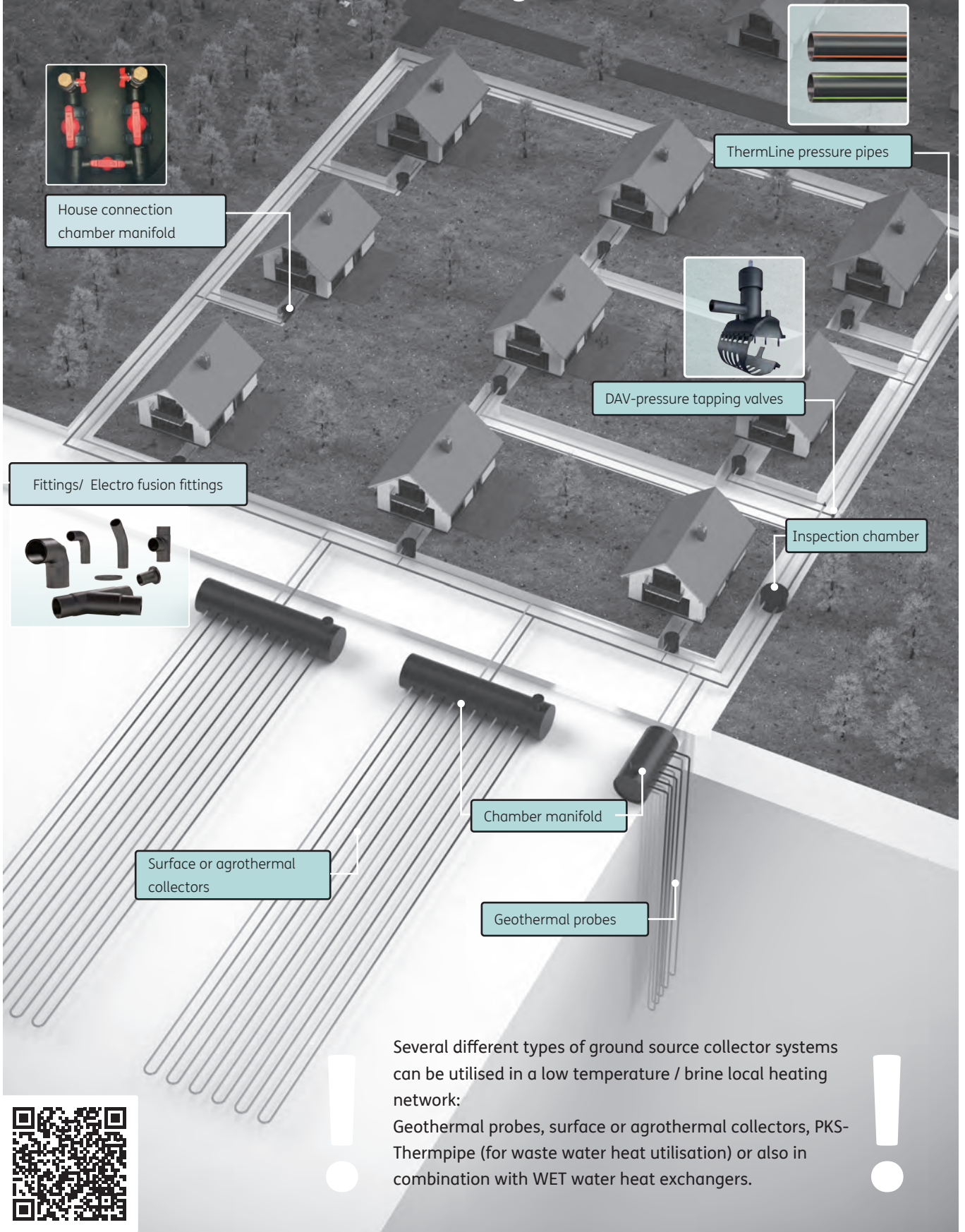


Chamber manifold with microbubble separator

Description	Dimensions [mm]
Inspection chamber	Pipe d90 - d250
Vent chamber	Pipe d90 - d250
House connection chamber	Pipe d40 - d90
Geothermal probe chamber manifold	10 - 200 Circuits
Agrothermic chamber manifold	6-40 Circuits

Item-No.	€/piece
order-related	On request

# Example layout of a low temperature / brine local heating network



Several different types of ground source collector systems can be utilised in a low temperature / brine local heating network:

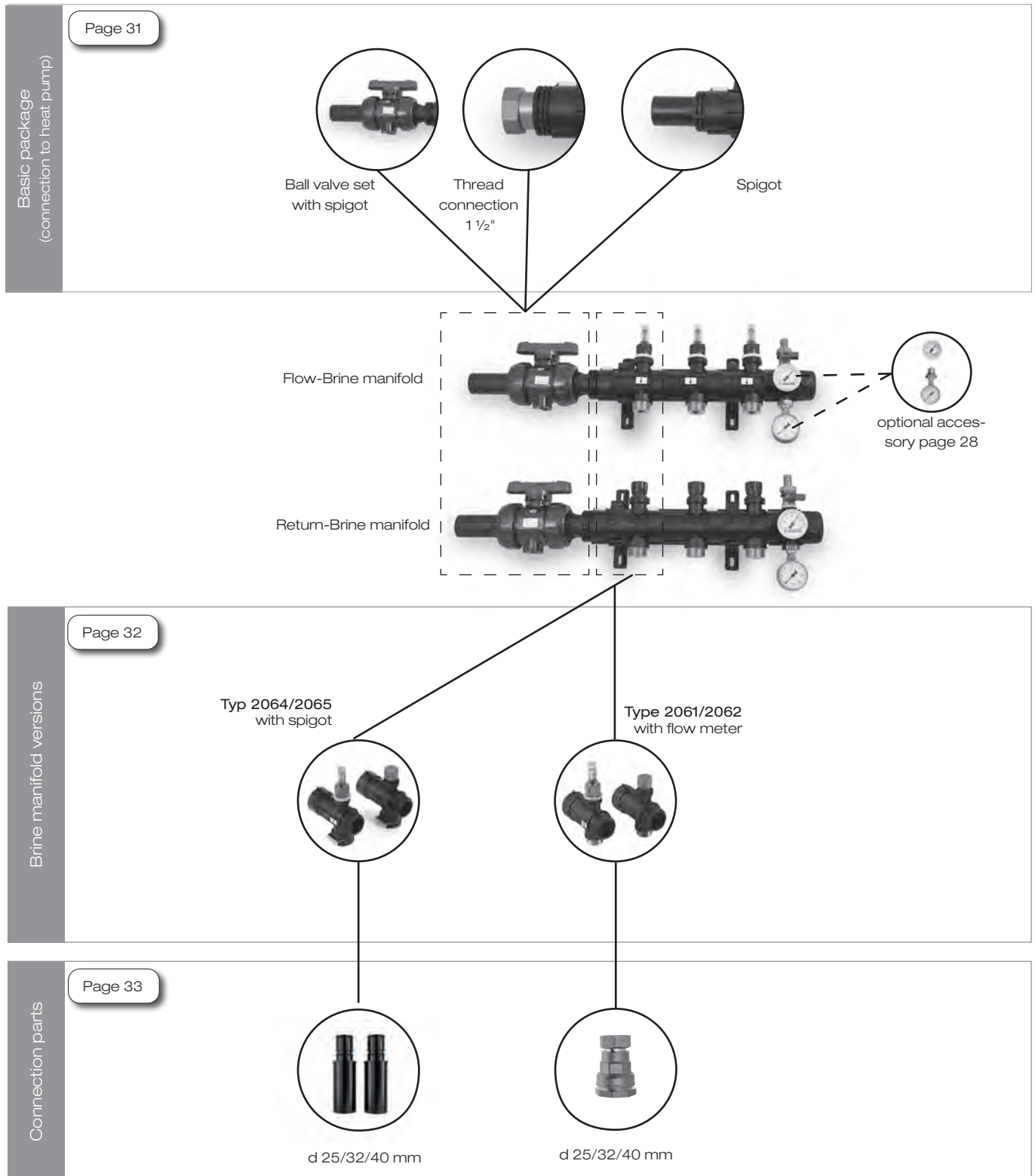
Geothermal probes, surface or agrothermal collectors, PKS-Thermprobe (for waste water heat utilisation) or also in combination with WET water heat exchangers.



# Modular Plastic brine manifold type 2061/ 2062/ 2064/ 2065.

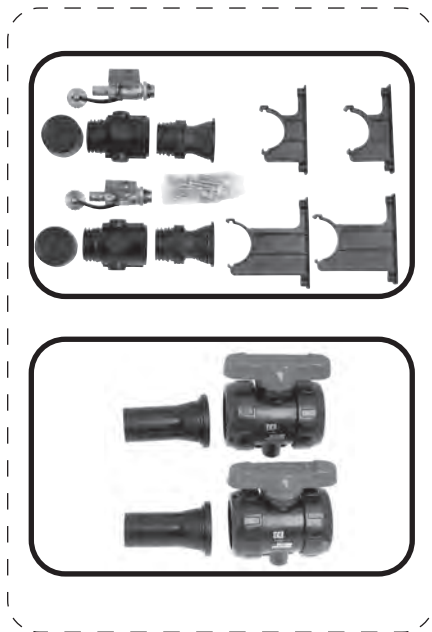
## Possible setups

Thanks to the modular system, the plastic brine manifold can be adapted according to your requirement. The heat pump connections can be designed with ball valve set, thread or spigot connection. Depending on the brine manifold module the circuit connection can be produced with threaded coupling or spigot. The manifold segments are made of glass-fibre reinforced plastic, are self-sealing and pressure-tested. Maximal recommended flow rate 7,7 m³/h.





## Basic package (Heat pump connections)



### Basic package flanged version with ball valve set

- 2 x Heat pump connection with flange for ball valve set
- 2 x Cross piece
- 2 x End cap
- 2 x Wall bracket, short
- 2 x Wall bracket, long
- 2 x Fill and drain valve, 1/2" thread
- Mounting material

#### Description

Basic package manifold, flanged version  
Ball valve set DN 32,  
incl. 2 PE spigots long, SDR 11, d 40

Item no.  
400 ...

20 6002

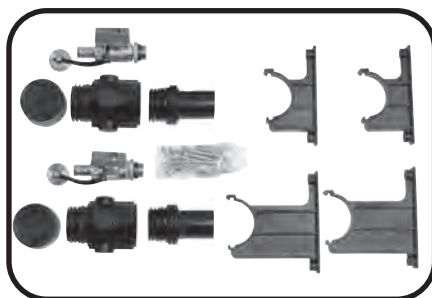
20 6003

€/Set

164,60

111,25

Discount group  
88



### Basic package welded version

- 2 x Heat pump connection with PE spigot long, SDR 11, d 40
- 2 x Cross piece
- 2 x End cap
- 2 x Wall bracket, short
- 2 x Wall bracket, long
- 2 x Fill and drain valve, 1/2" thread
- Mounting material

#### Description

Basic package manifold set, welded version

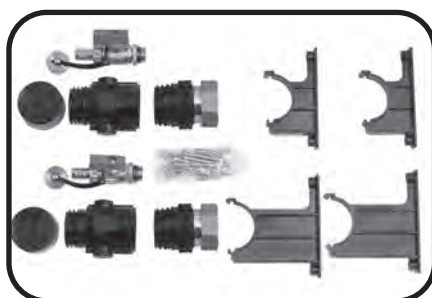
Item no.  
400 ...

20 6004

€/Set

164,60

Discount group  
88



### Basic package threaded version

- 2 x Heat pump connection with brass union nut  
1 1/2", flat sealing
- 2 x Cross piece
- 2 x End cap
- 2 x Wall bracket short
- 2 x Wall bracket long
- 2 x Fill and drain valve 1/2" thread
- Mounting material

#### Description

Basic package manifold set, threaded version

Item no.  
400 ...

20 6030

€/Set

186,60

Discount group  
88

## Manifold sets



### Manifold set for type 2064 / 2065 with flow meter

- Basic module, 1 x flow and 1 x return, extendable
- Flow with flow meter and stop ring for pre-adjustment
- Spigot distance 100 mm
- Connection for plug-spigot with safety clip

#### Description

Manifold set for brine type 2064 with integrated, adjustable flow meter **7 - 32 l/min**

Manifold set for brine type 2065 with integrated adjustable flow meter **4 - 20 l/min**

Item no.  
400 ...

20 6401

20 6501

€/Set

76,45

76,45

Discount group  
88



### Manifold set for type 2061/2062 with flow meter

- Basic module, 1 x flow and 1 x return, extendable
- Flow with flow meter and stop ring for pre-adjustment
- Spigot distance 100 mm
- Flat sealing brass circuit connection 1" male

#### Description

Manifold set for brine type 2061 with integrated, adjustable flow meter **7 - 32 l/min**

Manifold set for brine type 2062 with integrated, adjustable flow meter **4 - 20 l/min**

Item no.  
400 ...

20 6101

20 6201

€/Set

107,20

107,20

Discount group  
88

## Connection parts for manifold sets



### Plug-spigot for manifold set type 2064/2065

- Safe sealing via O-rings
- Spigot made of PE 100 SDR 11
- To connect via electro fusion fittings
- Packed in pairs

#### Description

SET Plug-spigot d 25 mm  
 SET Plug-spigot d 32 mm  
 SET Plug-spigot d 40 mm

Item no.  
400 ...

20 6032  
 20 6033  
 20 6034

€/Set

39,50  
 40,90  
 42,15

Discount group  
88



### Connection compression fitting for manifold set type 2061/2062

#### Description

Coupling d 25 mm x 1" female  
 Coupling d 32 mm x 1" female  
 Coupling d 40 mm x 1" female

Item no.  
400 ...

20 6009  
 20 6010  
 20 6011

€/piece

20,30  
 24,30  
 48,50

Discount group  
88

### Accessories for manifold set type 2060 up to 2065



#### Description

Thermometer with pocket, -20°C up to 40°C  
 Manometer with mounting valve, 0-6 bar  
 Wall-mounting set for brine manifold  
 (2 short and 2 long + mounting material)

Item no.  
400 ...

20 6006  
 20 6007  
 20 6008

€/piece

8,70  
 21,75  
 23,10

Discount group  
88

#### Calculation of wall mounting sets:

No. of circuits	2 - 5	6-9	10-12
Needed wall mounting sets	2*	3	4

\* included in basic package

## Modular plastic brine manifold type 3060



- Large dimensioned manifold as kit
- Quick assembly via pre-assembled sets
- Shut-off and regulating valve in each circuit
- Return with flow meter 5 - 42 l/min.
- Sealing of segments via O-rings,
- Circuit connection via plug-spigot made of PE 100
- Max. recommended total volume flow 16 m<sup>3</sup>/h

The following components are necessary for a 5-way manifold:

- 1 pc. Basic package
- 1 pc. Manifold set 2-circuits
- 1 pc. Manifold set 3-circuits
- 5 pcs. Plug-spigot sets

Description	Content
Basic package	2 pcs. Heat pump connection with cross pieces 2 pcs. Fill and drain valves 1" 2 pcs. End caps 2 pcs. Clamps 2 pcs. Wall brackets each short and long
Manifold set 2-circuits	2 pcs. Manifold segments, pre-assembled, 1 pc. clamp
Manifold set 3-circuits	3 pcs. Manifold segments, pre-assembled, 1 pc. clamp
Thermometer	- 20 °C to + 40 °C
Manometer	0-6 bar
Wall-mounting set	1 Wall bracket, short, 1 wall bracket long (starting from 8 circuits, see installation instructions)

Item no.: 400 ...	€/piece
30 6001	333,65
30 6002	281,60
30 6003	419,45
20 6006	8,70
20 6007	21,75
30 6004	15,25

Discount group  
88



- Plug-spigot for type 3060
- Safe sealing via O-rings
- Spigots made of PE 100 SDR 11
- For connection with electro fusion couplers
- Packed in pairs

Description	Connection [mm]	Content
Plug-spigot	d 32	2 pcs.
Plug-spigot	d 40	2 pcs.
Plug-spigot	d 50	2 pcs.

Item no.: 400 ...	€/Set
30 6007	47,35
30 6005	47,35
30 6006	50,00

Discount group  
88

# Insulating shell sets for FRANK plastic brine manifold type 3060

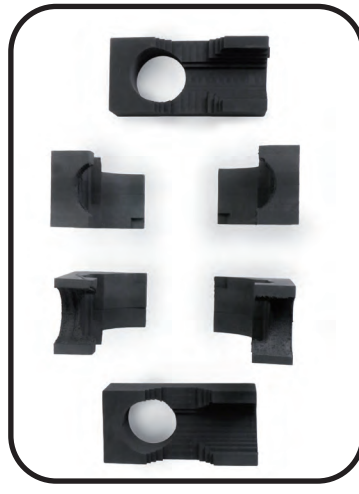
**NEW**

Equipment required for 2 circuits

from 3 circuits  
additionally needed



Insulating shell set (basic package) [G]



Insulating shell set (wall bracket) [W]

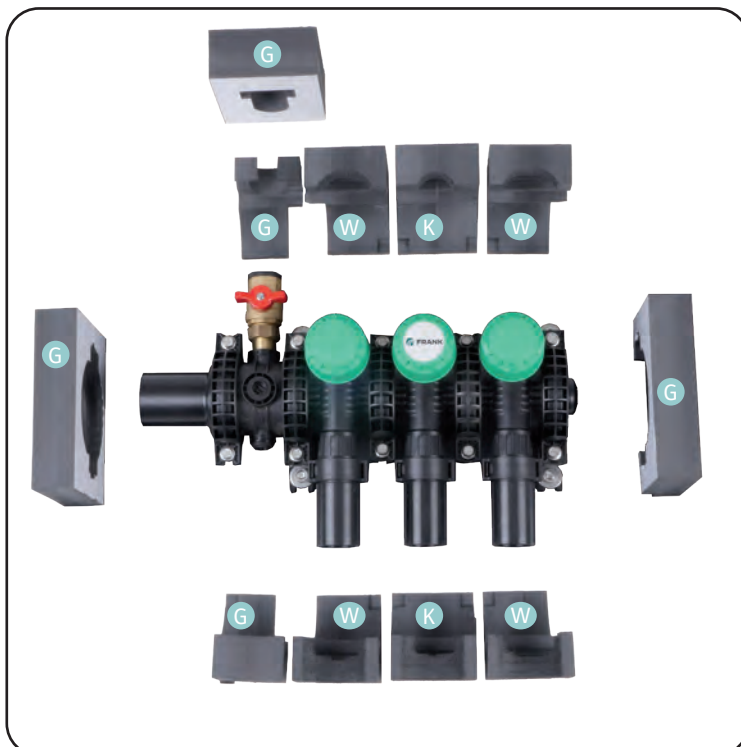


Insulating shell set (circle) [K]

Description	Content
Insulating shell set (basic package) [G]	2x insulation shells heat pump connection 2x insulation shells end cap 2x insulating shells cross piece (4-piece)
Insulating shell set (wall bracket)	2x insulating shells holder segment (6-piece)
Insulating shell set (circle) [K]	2x insulating shells circle segment (3-piece)

Item No. 400 ...	€/piece
30 6010	396,10
30 6011	304,70
30 6012	268,10

Discount group 88



The following sets are required for insulating a 4-way distributor type 3060 the following sets are required:

- 1 pc. Insulating shell set (basic package)
- 1 pc. Insulating shell set (wall bracket)
- 2 pc. insulating shell set (circle)

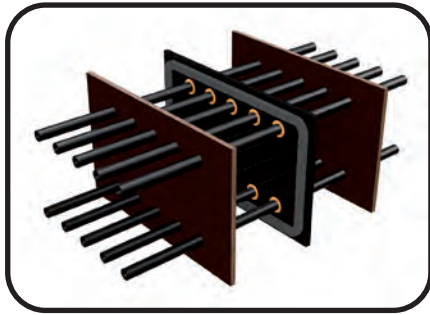
### Accessories (on-site):

Seal the individual components using diffusion-proof adhesive tape or liquid adhesive, e.g.:

- Armacell adhesive tape
- Armacell liquid adhesive



## FRANK floor / wall duct



Wall or floor ducts for the insertion of several pipes into the building

- No extensive drilling work and single waterproofing measures necessary
- Fully premanufactured unit
- Simple and safe handling on the construction site
- Sealing plate made of PE with pipe sealing and circumferential water blocking tape
- Completely with plywood (lost formliner) or in polyethylene as permanent formliner
- Small distances for a space saving insertion, even in case of high number of pipes
- Exact positioning and parallel arrangement of the pipes provide a neat appearance
- PE pipe sockets for an easy welded connection
- The distances between the sockets correspond with the manifolds of the FRANK GET-system

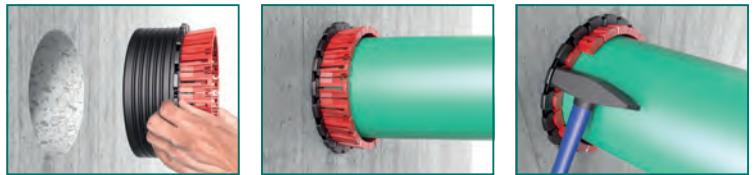
For pipe d... [mm]	Number of pipe sockets	Length [mm]	Height [mm]	Item no. 400 ...	€/piece
32, 40, 50	2 - 40	350 - 6200	450 - 650	order related	on request

## FRANK Ring-Gap-Seal

**NEW**

FRANK Ring-Gap-Seals have a new type of annular gap pressing system and thus enable fast, perfect and extremely site-compatible pipe penetration on existing structures.

Almost all media pipes can be sealed. Please contact us.



Artikelgruppe 93 954...

DN [mm]	Description	AD Pipe Tol. +2/-2 <sup>2)</sup> [mm]	Core drilling Tol. +2/-1 <sup>2)</sup> [mm]	Depth [mm]	VE <sup>1)</sup>	Item no.	€/piece
						003200	38,00
32	SP-D 32	32	80	60	20	004000	40,00
40	SP-D 40	40	80	60	20	005000	48,00
50	SP-D 50	50	100	60	20	006300	50,00
63	SP-D 63	63	100	60	20	007500	75,00
75	SP-D 75	75	130	60	20	009000	80,00
90	SP-D 90	90	130	60	20	011000	95,00
100	SP-D 110	110	150	60	20	012500	100,00
125	SP-D 125	125	165	60	20	012500B	105,00
125	SP-D 125 B	135	200	60	16	016000	108,50
150	SP-D 160	160	200	60	16	016000B	120,00
150	SP-D 160 B	170	210	60	16	018000	140,00
180	SP-D 180	180	240	60	15	020000	155,00
200	SP-D 200	200	240	60	15	020000B	170,00
200	SP-D 200 B	200	250	60	15	020000C	175,00
200	SP-D 200 C	210	270	60	16	020000D	185,00
200	SP-D 200 D	220	270	60	15	025000	235,00
250	SP-D 250	250	300	60	8	040000	350,00
400	SP-D 400	400	450	60	4	050000	400,00
500	SP-D 500	500	550	60	2		

other dimensions on request

1) VE = packaging unit.

2) Can be matched to any AD or KB with the appropriate rubber stoppers - please contact us.

Discount group  
91

## Wall mounting for pipelines



### Ring sealing

- Ring sealing with flexible EPDM sealing
- For the installation of core drilled holes or casing
- Stainless steel plates for pressing
- Tight at non-pressing water
- Splitted design and special dimensions on request

for pipe d ... [mm]	outside diameter [mm]	width [mm]
40	99	30
50	99	30
63	99	30
75	123	30
90	148	30
110	148	30
125	198	30

Item no. 400 ...	€/piece
10 4010	85,75
10 5010	85,75
10 6310	85,75
10 7510	132,10
10 9010	187,00
10 1110	187,00
10 1210	256,10

Discount group  
117



## FRANK puddle flange installation kit

Sealing up to 100 m/50 m water head  
(10bar up to d 315, 5bar d355 to d 500)

Suitable for almost all pipe materials. The puddle flange installation kit is supplied with 2 adequate steel straps, respectively 3 straps for puddle flanges of d 355 mm and bigger.

EPDM 90 954...

	d <sub>pipe</sub>	D <sub>1</sub>	Diameter range
	20	16	18 - 24
	25	21	23 - 29
	32	29	31 - 37
	40	38	40 - 46
	50	48	50 - 57
	63	60	62 - 69
	75	71	73 - 82
	90	84	86 - 97
	100	95	97 - 108
	110	105	107 - 121
	125	120	122 - 137
	140	132	135 - 155
	160	154	160 - 177
	180	173	176 - 197
200	195	198 - 224	
225	215	220 - 249	
250	245	250 - 279	
280	275	280 - 314	
315	310	315 - 354	
	355	310	355 - 399
	400	353	400 - 449
	450	400	450 - 499
	500	448	500 - 559

Item no.	€/piece
0020 01	58,90
0025 01	59,10
0032 01	59,35
0040 01	59,40
0050 01	59,65
0063 01	60,90
0075 01	63,05
0090 01	70,45
0100 01	70,70
0110 01	70,95
0125 01	71,35
0145 01	74,75
0160 01	77,45
0180 01	82,85
0200 01	87,00
0225 01	87,75
0250 01	96,35
0280 01	104,50
0315 01	109,55
0355 01	360,60
0400 01	371,35
0450 01	383,75
0500 01	390,55

Discount group  
33

1) other dimensions on request

## E-Coupler

Injection moulded made of PE 100-RC,  
with embedded heating spirals for gentle heating and for improved compensation of pipe ovalities, for welding pipes and fittings with long spigot ends.

SDR 11	d	D	L	a	VE <sup>1)</sup>	Piece/ Palett
	20	30	74	22,0	100	3600
	25	35	80	21,5	80	2880
	32	42	87	22,0	50	1800
	40	53	98	20,5	32	1152
	50	67	109	20,0	24	864
	63	83	125	17,5	15	540
	75	97	140	17,0	10	360
	90	112	139	16,0	8	288
	110	136	149	15,0	4	144
	125	155	170	13,5	6	96
	140	180	179	9,0	4	64
	160	197	180	10,5	4	64
	180	221	200	8,5	7	42
	200	245	216	4,5	6	36
	225	275	229	4,5	5	30
	250	310	238	0	1	12
	280	346	249	7,0	1	12
	315	386	259	0	1	16
	355	438	280	0	1	12
	400	499	300	4,5	1	4
	450	552	338	0	1	4
	500	604	360	0	1	2

1) PQ = Packaged quantity

## MULTI Bend 90°

injection moulded  
with long spigots,  $r \approx d$

SDR 11	d	s	z	PQ <sup>1)</sup>
	20	2,0	60,0	200
	25	2,3	68,5	100
	32	2,9	79,0	50
	40	3,7	92,5	30
	50	4,6	108,5	40
	63	5,8	129,5	20
	75	6,8	150,0	14
	90	8,2	168,0	8
	110	10,0	192,0	14
	125	11,4	218,0	8
	140	12,7	241,0	5
	160	14,6	261,5	4
	180	16,4	290,5	5
	200	18,2	318,5	3
	225	20,5	353,0	2
	250	22,7	386,0	1
	280	25,4	429,0	1
	315	28,6	475,0	1

1) PQ = Packaged quantity

Article group PE 100-RC 70 173...



DIBt  
zugelassen  
bis d 355

erhältlich  
ab d 20 - d 500  
auf Anfrage

FM  
Approved  
erhältlich  
ab d 63 - d 500  
auf Anfrage



Item-No	€/piece
0020 11	15,95
0025 11	17,35
0032 11	19,30
0040 11	19,95
0050 11	30,65
0063 11	32,40
0075 11	44,95
0090 11	59,80
0110 11	72,55
0125 11	99,30
0140 11	115,25
0160 11	135,45
0180 11	194,10
0200 11	229,15
0225 11	295,15
0250 11	434,70
0280 11	589,10
0315 11	708,45
0355 11	1.297,15
0400 11	1.626,40
0450 11	2.095,85
0500 11	2.458,95

Discount group  
PE 26

Article group PE 100-RC 70 068...



DIBt  
zugelassen

FM  
Approved  
erhältlich ab d 63  
auf Anfrage

erhältlich für PE 100  
d 32 - d 225  
auf Anfrage



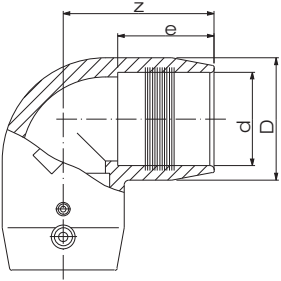
Item no.	€/piece
0020 11	12,65
0025 11	13,25
0032 11	14,30
0040 11	18,15
0050 11	23,65
0063 11	42,70
0075 11	56,15
0090 11	64,40
0110 11	118,00
0125 11	150,40
0140 11	167,80
0160 11	231,05
0180 11	259,50
0200 11	370,10
0225 11	435,45
0250 11	851,05
0280 11	1.229,65
0315 11	1.562,75

Discount group  
PE 51



## E-Elbow 90°

Injection moulded, with embedded heating spirals for gentle heating and improved compensation of pipe ovalities

SDR 11	d	e	z	D	PQ <sup>1)</sup>
	20	37	58	30	50
	25	39	61	35	50
	32	43	65	42	40
	40	48	75	53	20
	50	54	85	67	15
	63	62	99	83	9
	75	69	114	97	5
	90	71	147	114	6
	110	71	164	140	4
	125	84	164	161	3
	140	88	172	173	2
	160	87	222	200	1
	180	99	230	224	1
	200	106	250	248	1
	225	113	274	279	1

1) PQ = Packaged quantity



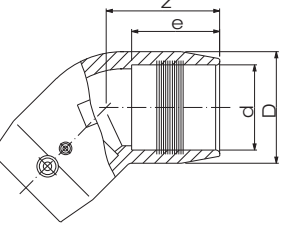
Article group PE 100-RC 70 171...

Item no.	€/piece
0020 11	34,45
0025 11	34,45
0032 11	36,55
0040 11	43,65
0050 11	54,60
0063 11	62,40
0075 11	87,75
0090 11	109,25
0110 11	157,60
0125 11	217,45
0140 11	374,05
0160 11	428,75
0180 11	624,15
0200 11	859,95
0225 11	923,25

Discount group PE 24

## E-Elbow 45°

injection moulded, with embedded heating spirals for gentle heating and improved compensation of pipe ovalities

SDR 11	d	e	z	D	PQ <sup>1)</sup>
	20	37	52	30	80
	25	40	52	35	60
	32	43	56	42	40
	40	48	63	53	20
	50	54	70	67	18
	63	62	82	83	12
	75	69	94	97	6
	90	71	113	115	9
	110	71	124	140	5
	125	85	124	161	5
	140	89	128	173	4
	160	89	164	200	2
	180	99	172	224	1
	200	107	178	249	1
	225	114	190	279	1

1) PQ = Packaged quantity



Article group PE 100-RC 70 170...

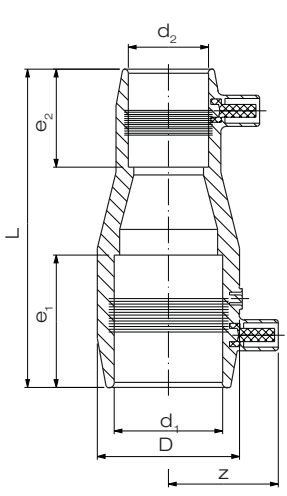
Item no.	€/piece
0020 11	34,45
0025 11	34,45
0032 11	36,55
0040 11	43,65
0050 11	54,60
0063 11	62,40
0075 11	87,75
0090 11	109,25
0110 11	157,60
0125 11	217,45
0140 11	374,05
0160 11	428,75
0180 11	612,50
0200 11	859,95
0225 11	923,25

Discount group PE 24

## E-Reducer

Injection moulded, with embedded heating spirals for gentle heating and improved compensation of pipe ovalities

Article group PE 100-RC 70 177...

SDR 11	d <sub>1</sub>	d <sub>2</sub>	e <sub>1</sub>	e <sub>2</sub>	L	D	a	PQ <sup>1)</sup>
	25	20	40	37	109	35	37	70
	32	20	44	37	109	43	43	50
	32	25	44	40	109	42	44	50
	40	20	49	37	119	53	48	40
	40	25	49	40	119	53	48	40
	40	32	49	44	119	53	47	30
	50	25	55	40	134	67	49	30
	50	32	55	44	134	67	53	20
	50	40	55	49	134	67	53	20
	63	32	63	44	133	83	56	15
	63	40	63	49	133	83	56	14
	63	50	63	55	148	83	60	12
	75	50	70	55	156	97	63	12
	75	63	70	63	156	97	63	10
	90	63	72	64	170	117	74	6
	110	63	73	64	201	141	84	12
	110	90	73	72	181	141	84	12
	125	90	84	73	184	156	90	6
	125	110	84	79	173	156	90	6
	160	90	91	72	240	200	109	4
	160	110	91	73	224	200	109	4
	180 <sup>2)</sup>	125	103	84	222	216	125	6
	225	160	114	89	282	280	147	2

- 1) PQ = Packaged quantity  
2) without FM-approval



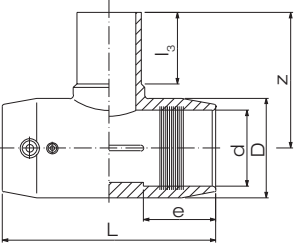
Item no.	€/piece
2520 11	22,60
3220 11	26,50
3225 11	28,65
4020 11	34,75
4025 11	34,75
4032 11	34,10
5025 11	38,10
5032 11	38,10
5040 11	42,00
6332 11	51,15
6340 11	51,15
6350 11	51,15
7550 11	61,45
7563 11	61,45
9063 11	76,35
1163 11	121,40
1190 11	123,35
1290 11	151,55
1211 11	151,55
1690 11	237,30
1611 11	235,50
1812 11	906,05
2216 11	548,35

Discount group  
PE 24

## E-Tee

Injection moulded, with embedded heating spirals for gentle heating and improved compensation of pipe ovalities. Please use reducers for smaller couplings.

Article group **PE 100-RC** 70 176...

SDR 11	d	e	L	z	D	l <sub>s</sub>	PQ <sup>1)</sup>
	20	37	111	62	32	43	50
	25	40	111	66	37	43	40
	32	44	123	76	47	47	25
	40	49	139	86	58	51	18
	50	55	160	100	69	58	12
	63	63	186	118	87	66	12
	75	70	209	132	97	72	8
	90	76	292	169	124	91	5
	110	72	327	191	149	101	3
	125	86	348	211	170	111	2
	140	89	349	227	189	111	1
	160	85	371	246	212	120	1
	180	100	419	275	232	130	1
	200	107	425	302	264	139	1
	225	113	478	325	287	147	1

1) PQ = Packaged quantity



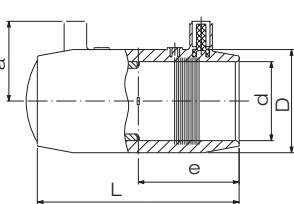
Item no.	€/piece
0020 11	35,00
0025 11	35,00
0032 11	37,45
0040 11	42,15
0050 11	55,30
0063 11	60,25
0075 11	86,25
0090 11	108,45
0110 11	161,70
0125 11	208,35
0140 11	368,80
0160 11	378,80
0180 11	658,95
0200 11	844,45
0225 11	1.032,35

Discount group PE 24

## E-End cap

Injection moulded, with embedded heating spirals for gentle heating and improved compensation of pipe ovalities

Article group **PE 100-RC** 70 174...

SDR 11	d	e	L	D	a	PQ <sup>1)</sup>
	20	37	74	30	34	100
	25	40	80	35	37	50
	32	43	87	42	40	60
	40	48	98	53	44	30
	50	54	109	67	49	24
	63	62	125	83	56	15
	75	69	140	97	63	10
	90	68	139	112	74	12
	110	73	149	136	83	8
	125	84	170	155	91	6
	140	89	180	180	99	4
	160	88	180	197	108	4
	180	98	200	221	119	3
	200	105	216	245	129	3
	225	112	229	275	145	2
	250	117	238	310	159	1
	280	122	249	346	177	1
	315	128	259	386	199	2

1) PQ = Packaged quantity



Item no.	€/piece
0020 11	24,40
0025 11	25,80
0032 11	30,00
0040 11	32,60
0050 11	48,55
0063 11	53,95
0075 11	84,00
0090 11	111,15
0110 11	142,45
0125 11	174,10
0140 11	228,45
0160 11	244,70
0180 11	312,20
0200 11	399,65
0225 11	485,45
0250 11	629,40
0280 11	888,50
0315 11	1.107,05

Discount group PE 24

## Male E-Adaptor socket

Injection moulded, external thread of brass or steel, with embedded heating spirals for gentle heating and improved compensation of pipe ovalities

SDR 11	d	R <sup>2)</sup>	e	L	D	a	PQ <sup>1)</sup>	PE 100-RC		
								Article group	70 185...	
								steel	brass	€/piece
								Item no.	Item no.	
	20	1/2"	37	120	30	34	45	2021 11	2020 11	74,10
	25	3/4"	40	127	35	37	50	2526 11	2525 11	74,10
	32	1/2"	44	132	42	43	20	---	2032 11	74,70
	32	3/4"	44	133	42	43	20	---	2532 11	75,35
	32	1"	44	138	42	40	40	3233 11	3232 11	75,95
	32	1 1/4"	44	138	42	43	40	---	4032 11	92,10
	32	1 1/2"	44	140	42	43	15	---	5032 11	115,10
	40	1"	49	147	53	47	20	---	3240 11	92,10
	40	1 1/4"	49	151	53	44	20	4041 11	4040 11	92,10
	40	1 1/2"	49	151	53	47	20	---	5040 11	97,15
	40	2"	49	155	53	47	15	---	6340 11	144,70
	50	1"	55	159	67	53	15	---	3250 11	116,15
	50	1 1/4"	55	162	67	53	15	---	4050 11	114,15
	50	1 1/2"	55	166	67	49	15	5051 11	5050 11	102,30
	50	2"	55	168	67	53	20	---	6350 11	138,50
	63	1 1/4"	63	179	83	60	13	---	4063 11	148,65
	63	1 1/2"	63	183	83	60	12	---	5063 11	149,25
63	2"	63	189	83	56	12	6364 11	6363 11	144,70	

1) PQ = Packaged quantity  
2) Thread acc. to DIN EN 10226-1

Discount group  
PE 27

## Female E-Adaptor socket

Injection moulded, internal thread of brass or steel, with embedded heating spirals for gentle heating and improved compensation of pipe ovalities

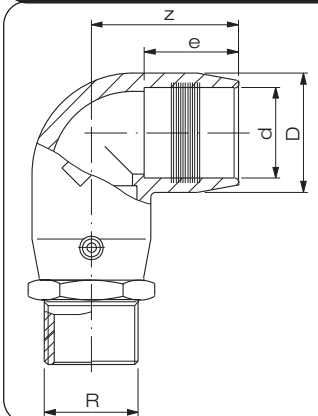
SDR 11	d	R <sup>2)</sup>	e	L	D	a	PQ <sup>1)</sup>	PE 100-RC		
								Article group	70 184...	
								steel	brass	€/piece
								Item no.	Item no.	
	20	1/2"	37	111	30	34	50	2021 11	2020 11	85,50
	25	3/4"	40	121	35	37	50	2526 11	2525 11	85,50
	32	1"	44	133	42	40	40	3233 11	3232 11	84,05
	40	1 1/4"	49	148	53	44	20	4041 11	4040 11	103,65
	50	1 1/2"	55	167	67	49	15	5051 11	5050 11	108,50
	63	2"	63	194	83	56	12	6364 11	6363 11	153,45

1) PQ = Packaged quantity  
2) Thread acc. to DIN EN 10226-1

Discount group  
PE 27

## Male E-Adaptor elbow 90°

Injection moulded, internal thread of brass or steel, with embedded heating spirals for gentle heating and improved compensation of pipe ovalities

SDR 11	d	R <sup>2)</sup>	e	z	D	PQ <sup>1)</sup>
	20	1/2"	37	58	30	50
	25	3/4"	40	61	35	40
	32	1"	44	65	42	25
	40	1 1/4"	49	75	53	20
	50	1 1/2"	55	85	67	10
	63	2"	63	100	83	5

- 1) PQ = Packaged quantity  
2) Thread acc. to DIN EN 10226-1



  
erhältlich für PE 100  
d 32 - d 63  
auf Anfrage

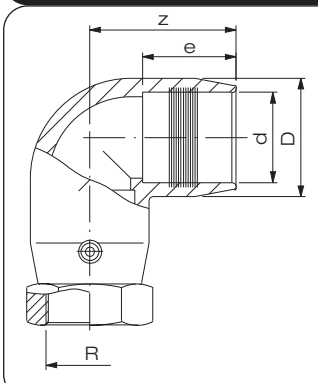


Article group		PE 100-RC		70 186...
steel Item no.	brass Item no.	€ /piece		
2021 11	2020 11	90,90		
2526 11	2525 11	90,90		
3233 11	3232 11	90,90		
4041 11	4040 11	108,75		
5051 11	5050 11	119,55		
6364 11	6363 11	156,05		

Discount group  
PE 27

## Female E-Adaptor elbow 90°

Injection moulded, internal thread of brass or steel, with embedded heating spirals for gentle heating and improved compensation of pipe ovalities

SDR 11	d	R <sup>2)</sup>	e	z	D	PQ <sup>1)</sup>
	20	1/2"	37	58	30	50
	25	3/4"	40	61	35	40
	32	1"	44	65	42	25
	40	1 1/4"	49	75	53	20
	50	1 1/2"	55	85	67	12
	63	2"	63	100	83	6

- 1) PQ = Packaged quantity  
2) Thread acc. to DIN EN 10226-1



  
erhältlich für PE 100  
d 32 - d 63  
auf Anfrage

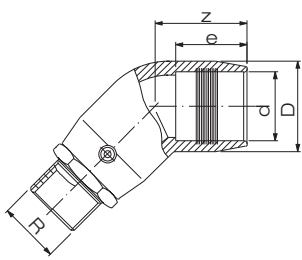


Article group		PE 100-RC		70 187...
steel Item no.	brass Item no.	€ /piece		
2021 11	2020 11	89,15		
2526 11	2525 11	89,15		
3233 11	3232 11	95,20		
4041 11	4040 11	113,85		
5051 11	5050 11	123,35		
6364 11	6363 11	163,30		

Discount group  
PE 27

## Male E-Adaptor elbow 45°

Injection moulded, external thread of brass or steel, with embedded heating spirals for gentle heating and improved compensation of pipe ovalities

SDR 11	d	R <sup>2)</sup>	e	z	D	PQ <sup>1)</sup>
	20	1/2"	37	52	30	60
	25	3/4"	40	52	35	50
	32	1"	44	56	42	25
	40	1 1/4"	49	63	53	15
	50	1 1/2"	55	70	67	12
	63	2"	63	82	83	9

- 1) PQ = Packaged quantity  
2) Thread acc. to DIN EN 10226-1



erhältlich für PE 100  
d 32 - d 63  
auf Anfrage



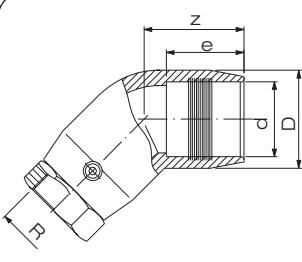
Article group **PE 100-RC\*** 70 188...

steel Item no.	brass Item no.	€/piece
2021 11	2020 11	75,35
2526 11	2525 11	75,35
3233 11	3232 11	90,90
4041 11	4040 11	108,75
5051 11	5050 11	119,55
6364 11	6363 11	156,05

Discount group  
PE 27

## Female E-Adaptor elbow 45°

Injection moulded, internal thread of brass or steel, with embedded heating spirals for gentle heating and improved compensation of pipe ovalities

SDR 11	d	R <sup>2)</sup>	e	z	D	PQ <sup>1)</sup>
	20	1/2"	37	52	30	60
	25	3/4"	40	52	35	25
	32	1"	44	56	42	15
	40	1 1/4"	49	63	53	15
	50	1 1/2"	55	70	67	12
	63	2"	63	82	83	9

- 1) PQ = Packaged quantity  
2) Thread acc. to DIN EN 10226-1



erhältlich für PE 100  
d 32 - d 63  
auf Anfrage



Article group **PE 100-RC** 70 189...

steel Item no.	brass Item no.	€/piece
2021 11	2020 11	75,35
2526 11	2525 11	75,35
3233 11	3232 11	95,20
4041 11	4040 11	113,85
5051 11	5050 11	123,35
6364 11	6363 11	163,30

Discount group  
PE 27

## Adaptor female thread

made of steel or brass, according to DIN EN 12201-3 and 1555-3,  
can be combined with all Agru heating coil fittings.

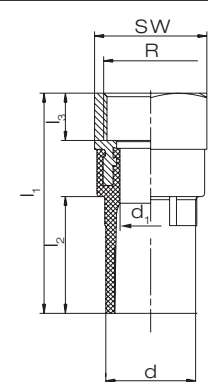


  
erhältlich für PE 100  
d 32 - d 63  
auf Anfrage

Article group

PE 100-RC

70 180...

SDR 11	d	d <sub>1</sub>	R <sup>2)</sup>	l <sub>1</sub>	l <sub>2</sub>	l <sub>3</sub>	SW	VE <sup>1)</sup>	Steel	Brass	€/piece
									Item no.	Item no.	
	20	12	1/2"	76	40	15	32	50	1020 11	0020 11	74,50
	25	16	3/4"	80	43	16	36	50	1025 11	0025 11	72,55
	32	21	1"	88	46	19	41	40	1032 11	0032 11	65,35
	40	27	1 1/4"	98	51	21	50	20	1040 11	0040 11	82,00
	50	33	1 1/2"	110	57	23	60	20	1050 11	0050 11	83,80
	63	42	2"	129	65	27	70	20	1063 11	0063 11	128,70

- 1) PQ = Packaged quantity  
2) Thread acc. to DIN EN 10226-1

Discount group  
PE 27

## Adaptor male thread

made of steel or brass, according to DIN EN 12201-3 and 1555-3,  
can be combined with all Agru heating coil fittings.

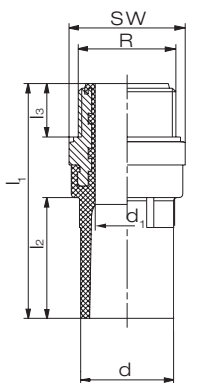


  
erhältlich für PE 100  
d 32 - d 63  
auf Anfrage

Article group

PE 100-RC

70 181...

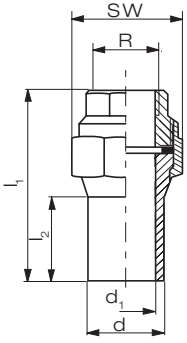
SDR 11	d	d <sub>1</sub>	R <sup>2)</sup>	l <sub>1</sub>	l <sub>2</sub>	l <sub>3</sub>	SW	VE <sup>1)</sup>	Steel	Brass	€/piece
									Item no.	Item no.	
	20	12,0	1/2"	81	40	16	32	50	1020 11	0020 11	62,80
	25	16,0	3/4"	85	43	16	36	50	1025 11	0025 11	60,60
	32	12,0	1/2"	88	46	17	41	50	---	2032 11	60,60
	32	16,0	3/4"	90	46	18	41	40	---	2532 11	60,85
	32	21,0	1"	92	46	19	41	40	1032 11	0032 11	54,85
	32	21,0	1 1/4"	95	46	23	46	30	---	4032 11	74,85
	32	21,0	1 1/2"	97	46	25	55	45	---	5032 11	93,30
	40	21,0	1"	99	51	21	50	20	---	3240 11	77,10
	40	27,5	1 1/4"	100	51	21	50	20	1040 11	0040 11	69,40
	40	27,5	1 1/2"	103	51	25	55	20	---	5040 11	92,10
	40	27,5	2"	107	51	29	65	30	---	6340 11	130,35
	50	21,0	1"	105	57	21	60	20	---	3250 11	88,60
	50	27,5	1 1/4"	107	57	22	60	30	---	4050 11	91,15
	50	33,5	1 1/2"	109	57	25	60	30	1050 11	0050 11	70,00
	50	33,5	2"	114	57	29	65	24	---	6350 11	109,80
	63	27,5	1 1/4"	117	65	21	70	20	---	4063 11	123,75
	63	33,5	1 1/2"	121	65	25	70	20	---	5063 11	124,20
	63	42,0	2"	124	65	27	70	20	---	0063 11	109,35

- 1) PQ = Packaged quantity  
2) Thread acc. to DIN EN 10226-1

Discount group  
PE 27

## Pipe union female thread

made of stainless steel (V2A), steel or brass, according to DIN EN 12201-3 and 1555-3, for transition sleeve and transition angle.

SDR 11	d	d <sub>1</sub>	R <sup>1)</sup>	l <sub>1</sub>	l <sub>2</sub>	SW	VE <sup>1)</sup>	
	25	20,4	3/4"	119	60	47		
	32	26	1"	127	60	53		
	40	32,6	1 1/4"	128	66	66		
	50	40,8	1 1/2"	149	80	72		
	63	51,5	2"	164	85	89		
	75	61,2	2 1/2"	179	90	109		
	90	73,6	3"	199	100	150		
	110	90	4"	218	95	150		

1) Thread acc. to DIN EN 10226-1

Article group PE 100 97 032...

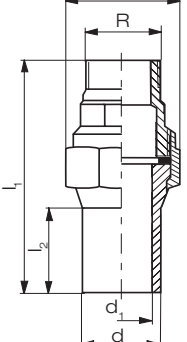


Stainless steel item no.	€/piece
2525 11	81,50
3232 11	95,20
4040 11	131,60
5050 11	161,00
6363 11	199,25
7575 11	365,85
9090 11	466,35
1111 11	618,40

Discount group PE 27

## Pipe union male thread

made of stainless steel (V2A), steel or brass, according to DIN EN 12201-3 and 1555-3, for transition sleeve and transition angle.

SDR 11	d	d <sub>1</sub>	R <sup>2)</sup>	l <sub>1</sub>	l <sub>2</sub>	SW	VE <sup>1)</sup>	
	25	20,4	3/4"	140	60	47		
	32	26	1"	149	60	53		
	40	32,6	1 1/4"	153	66	66		
	50	40,8	1 1/2"	175	80	72		
	63	51,5	2"	193	85	89		
	75	61,2	2 1/2"	211	90	109		
	90	73,6	3"	234	100	123		
	110	90	4"	258	100	150		

1) Thread acc. to DIN EN 10226-1

Article group PE 100 97 033...



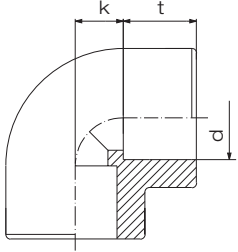
Stainless steel item no.	€/piece
2525 11	85,10
3232 11	97,15
4040 11	134,15
5050 11	177,80
6363 11	233,70
7575 11	385,55
9090 11	492,05
1111 11	677,10

Discount group PE 27



## Elbow 90°

molded, according to DIN EN 12201-3, type B.

PN 16	d	k	t	PQ <sup>1)</sup>
	20	14	16	200
	25	17	18	120
	32	20	20	80
	40	25	22	50
	50	28	25	50
	63	35	28	30
	75	38	33	20
	90	49	36	12
	110	57	43	8

1) PQ = Packaged quantity

**DIBt**  
zugelassen

  
erhältlich für PE 100  
d 32 - d 110  
auf Anfrage

Article group **PE 100** 25 051...

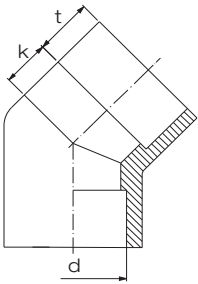
Article group **PE 100-RC** 70 051...

Item no.	€/piece
0020 07	9,20
0025 07	10,90
0032 07	12,85
0040 07	15,85
0050 07	28,60
0063 07	36,80
0075 07	76,20
0090 07	93,70
0110 07	140,00

Discount group  
PE 18

## Elbow 45°

molded, according to DIN EN 12201-3, type B.

PN 16	d	k	t	PQ <sup>1)</sup>
	20	11	16	200
	25	14	18	160
	32	17	20	200
	40	21	22	50
	50	26	24	35
	63	33	29	40
	75	38	32	30
	90	46	37	18
	110	56	42	8

1) PQ = Packaged quantity

**DIBt**  
zugelassen

  
erhältlich für PE 100  
d 32 - d 110  
auf Anfrage

Article group **PE 100** 25 050...

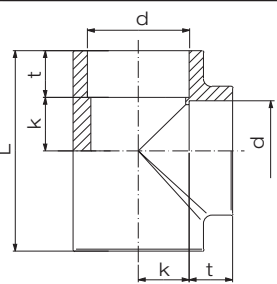
Article group **PE 100-RC** 70 050...

Item no.	€/piece
0020 07	10,90
0025 07	12,65
0032 07	14,15
0040 07	17,75
0050 07	21,35
0063 07	27,90
0075 07	59,40
0090 07	87,40
0110 07	128,90

Discount group  
PE 18

## Tee

molded, according to DIN EN 12201-3, type B.

PN 16	d	L	k	t	PQ <sup>1)</sup>
	20	60	14	16	300
	25	70	17	18	160
	32	80	21	20	120
	40	94	25	22	30
	50	108	30	24	20
	63	131	36	29	26
	75	155	34	31	18
	90	185	51	37	8
	110	205	57	44	6

1) PQ = Packaged quantity

**DIBt**  
zugelassen

  
erhältlich für PE 100  
d 32 - d 110  
auf Anfrage

Article group **PE 100** 25 056...

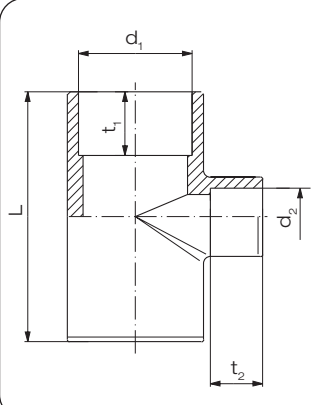
Article group **PE 100-RC** 70 056...

Item no.	€/piece
0020 07	10,75
0025 07	11,85
0032 07	13,85
0040 07	17,20
0050 07	27,90
0063 07	38,80
0075 07	80,55
0090 07	125,00
0110 07	166,60

Discount group  
PE 18

## Tee

molded, according to DIN EN 12201-3, type B, reduced.

PN 16	$d_1$	$d_2$	L	$t_1$	$t_2$	PQ <sup>1)</sup>
	25	20	68	18	16	80
	32	20	80	20	16	120
	32	25	80	20	18	60
	40	20	90	22	16	40
	40	25	90	22	18	40
	40	32	91	22	20	30
	50	20	110	24	16	25
	50	25	110	24	18	25
	50	32	108	24	20	24
	50	40	107	24	21	24
	63	25	130	29	18	30
	63	32	130	29	20	30
	63	40	130	29	22	30
	63	50	130	29	24	28

1) PQ = Packaged quantity

**DIBt**  
zugelassen



erhältlich für PE 100  
d 32 - d 63  
auf Anfrage

Article group **PE 100** 25 055...

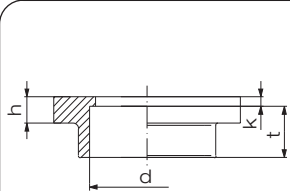
Article group **PE 100-RC** 70 055...

Item no.	€/piece
2520 07	14,15
3220 07	17,05
3225 07	17,05
4020 07	20,10
4025 07	20,10
4032 07	20,10
5020 07	23,90
5025 07	23,90
5032 07	23,90
5040 07	27,60
6325 07	42,35
6332 07	42,35
6340 07	42,35
6350 07	42,35

Discount group  
PE 18

## Flange adaptor

molded, according to DIN EN 12201-3, type B.

PN 16	d	h	k	t	PQ <sup>1)</sup>
	20	10	5	14	200
	25	10	5	16	160
	32	10	6	19	200
	40	10	4	22	160
	50	13	6	23	50
	63	14	5	28	40
	75	16	6	30	40
	90	18	3	35	40
	110	18	5	41	24

1) PQ = Packaged quantity

**DIBt**  
zugelassen



erhältlich für PE 100  
d 32 - d 110  
auf Anfrage

Article group **PE 100** 25 052...

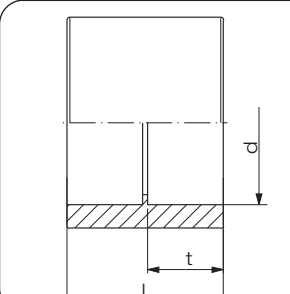
Article group **PE 100-RC** 70 052...

Item no.	€/piece
0020 07	8,00
0025 07	8,50
0032 07	9,40
0040 07	11,65
0050 07	13,80
0063 07	17,85
0075 07	34,25
0090 07	52,70
0110 07	78,15

Discount group  
PE 18

## Socket

molded, according to DIN EN 12201-3, type B.

PN 16	d	L	t	PQ <sup>1)</sup>
	20	35	16	400
	25	39	18	200
	32	43	20	300
	40	47	22	200
	50	52	24	50
	63	60	29	30
	75	70	33	40
	90	79	37	24
	110	90	42	20

1) PQ = Packaged quantity

**DIBt**  
zugelassen



erhältlich für PE 100  
d 32 - d 110  
auf Anfrage

Article group **PE 100** 25 053...

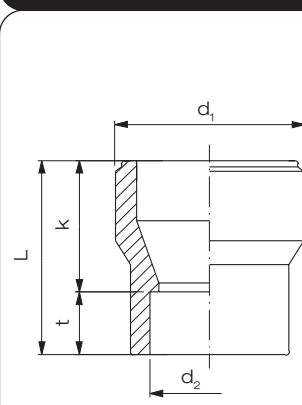
Article group **PE 100-RC** 70 053...

Item no.	€/piece
0020 07	7,50
0025 07	7,85
0032 07	9,20
0040 07	11,85
0050 07	17,20
0063 07	23,00
0075 07	32,20
0090 07	45,05
0110 07	77,15

Discount group  
PE 18

## Reducer concentric

molded, according to DIN EN 12201-3, type B.

PN 16	$d_1$	$d_2$	L	t	k	PQ <sup>1)</sup>
	25	20	39	16	23	280
	32	20	45	16	29	300
	32	25	45	18	27	160
	40	20	50	16	34	160
	40	25	50	18	32	160
	40	32	50	20	30	200
	50	20	55	16	39	200
	50	25	55	18	37	200
	50	32	55	20	35	160
	50	40	55	26	29	160
	63	25	65	18	47	120
	63	32	65	20	45	50
	63	40	65	22	43	50
	63	50	65	24	41	40
	75	63	64	29	35	32
	90	63	88	29	59	40
	90	75	86	32	54	24
	110	63	90	29	61	30
	110	90	89	37	52	24

1) PQ = Packaged quantity

**DIBt**  
zugelassen



erhältlich für PE 100  
d 32 - d 110  
auf Anfrage

Article group **PE 100** 25 057...

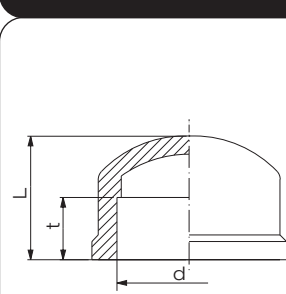
Article group **PE 100-RC** 70 057...

Item no.	€/piece
2520 07	7,85
3220 07	9,20
3225 07	9,20
4020 07	11,10
4025 07	11,10
4032 07	11,10
5020 07	13,55
5025 07	13,55
5032 07	13,55
5040 07	13,55
6325 07	17,20
6332 07	17,20
6340 07	17,20
6350 07	17,60
7563 07	29,25
9063 07	40,85
9075 07	40,85
1163 07	52,15
1190 07	52,15

Discount group  
PE 18

## End cap

molded, according to DIN EN 12201-3, type B.

PN 16	d	L	t	PQ <sup>1)</sup>
	20	25	16	280
	25	30	18	240
	32	35	20	400
	40	38	22	200
	50	50	24	50
	63	59	29	32
	75	67	32	28
	90	77	37	30
	110	94	42	20

1) PQ = Packaged quantity

**DIBt**  
zugelassen



erhältlich für PE 100  
d 32 - d 110  
auf Anfrage

Article group **PE 100** 25 054...

Article group **PE 100-RC** 70 054...

Item no.	€/piece
0020 07	7,85
0025 07	8,30
0032 07	9,05
0040 07	11,85
0050 07	14,60
0063 07	19,65
0075 07	39,60
0090 07	55,50
0110 07	75,60

Discount group  
PE 18

## Electro fusion welding machine



### Description

polycode (BT)

Item no.  
600 ...

87 0215 BT

€/piece

1.515,00

- E-fusion welding machine with logging function
- Safely integrated in transport case
- Dimensions:  
d 20 - d 125 mm  
d 140 - **d 180 mm\***,
- Bar code reading (welding parameters and traceability)
- **Bluetooth interface to use the EFS app.**
- Recording capacity of ca 1000 records
- USB interface (for USB-stick)
- Incoming: 230V / 50Hz
- Outgoing: 8-48V (max. 54A)
- Weight: ca. 11kg

\*prolonged cooling time needs to be respected  
Operating instructions must be observed

## Electro fusion welding machine



### Description

polycode 400 (BT)

Item no.  
600 ...

87 0214BT

€/piece

2.475,00

- E-fusion welding machine with logging function
- Safely integrated in transport case
- Dimensions:  
d 20 - d 400 mm  
> d 400 mm\*,
- Bar code reading (welding parameters and traceability)
- **Bluetooth interface to use the EFS app.**
- Recording capacity of ca 1000 records
- USB interface (for USB-stick)
- Incoming: 230V / 50Hz
- Outgoing: 8-48V (max. 54A)
- Weight: ca. 16,2 kg

\*prolonged cooling time needs to be respected  
Operating instructions must be observed



### Description

Socket fusion device d 63 mm

Item no.  
600 ...

88 3305

€/piece

on  
request

- From d 20 – d 63 mm
- With spigot and socket OD 20 – 63 mm
- Transport box

## Tools and accessories



### Description

Pipe end scraper PES 63 Set from d 32 – d 63 SDR 11  
 Pipe end scraper PES 63 Set incl. Cordless screwdriver von d 32 – d 63 SDR 11

Pipe end scraper PES 75 Set from d 25 – d 75 SDR 11  
 Pipe end scraper PES 75 Set incl. Cordless screwdriver from d 25 – d 75 SDR 11

Spare blade for Pipe end scraper PES up to d 75

Item no.  
600 ...

87 3000  
87 3030  
  
87 3010  
87 3031  
  
87 3020

€/piece

555,00  
695,00  
  
710,00  
850,00  
  
56,00

- For mechanical processing of the tube surface,
- Robust basic device made of metal,
- Set consisting of basic unit, plastic plug, socket wrench, Operating instructions and transport case



### Description

Pipe end scraper PES 32, d 32 SDR 11  
 Pipe end scraper PES 40, d 40 SDR 11  
 Pipe end scraper PES 50, d 50 SDR 11  
 Pipe end scraper PES 63, d 63 SDR 11  
 Pipe end scraper PES 75, d 75 SDR 11  
 Spare blade for pipe end scraper PES 32 bis d 75  
 Bit socket wrench

Item no.  
600 ...

87 3001  
87 3002  
87 3003  
87 3004  
87 3005  
87 3020  
87 3023

€/piece

230,00  
240,00  
246,00  
252,00  
263,00  
56,00  
26,00



### Description

Plastic plugs d 25 SDR 11  
 Plastic plugs d 32 SDR 11  
 Plastic plugs d 40 SDR 11  
 Plastic plugs d 50 SDR 11  
 Plastic plugs d 63 SDR 11  
 Plastic plugs d 75 SDR 11  
 Plastic plugs d 40 SDR 9  
 Plastic plugs d 63 SDR 7,4  
 Plastic plugs d 75 SDR 7,4

Item no.  
600 ...

87 3011  
87 3013  
87 3014  
87 3015  
87 3016  
87 3017  
87 30149  
87 30167  
87 30177

€/piece

37,00  
60,00  
69,00  
77,00  
95,00  
120,00  
69,00  
95,00  
120,00



Peeling device PES 200 from d 63 (SDR 11) - d 200 mm (SDR 17)  
 Peeling device PES 315 from d 90 (SDR 11) - d 315 mm (SDR 17)

Peeling device PES 200 PEX from d 63 (SDR 11) - d 200 mm (SDR 17)  
 Peeling device PES 315 PEX from d 90 (SDR 11) - d 315 mm (SDR 17)

Spare blade for PES 200/315/400

87 0523  
87 0524

87 0523PEX  
87 0524PEX

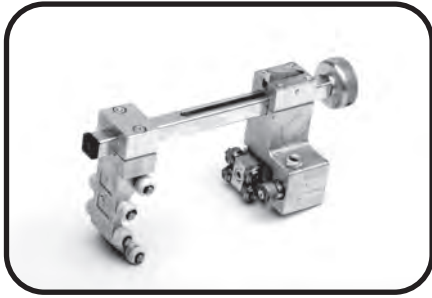
87 0024

595,00  
945,00

595,00  
945,00

55,00

- For mechanical processing of the pipe surface,
- Robust basic unit made of metal,
- Scope of delivery: peeling device, spare blade, allen key, transport case.



Description

Rotational scraper 63  
Spare blade

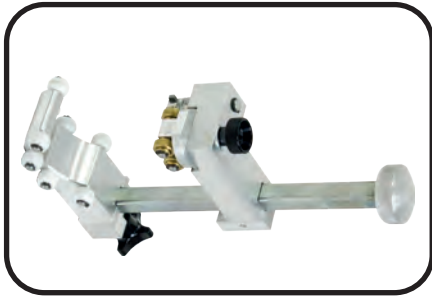
- Diameter range: d 25 - d 63 mm
- To remove the oxidized layer
- Transport box and spare blade included

Item no.  
600 ...

870 517  
870 022

€/piece

665,00  
56,00



Description

Rotational scraper 125  
Spare blade

- Diameter range: d 25 - d 125 mm
- To remove the oxidized layer
- Transport box and spare blade included

Item no.  
600 ...

870 515  
870 022

€/piece

675,00  
56,00



Description

Pipe clamp d 63 ( d 20 - d 63 mm)  
Pipe clamp d 110 ( d 32 - d 110 mm)  
Pipe clamp d 225 ( d 110 - d 225 mm)

- 4 point clamping with angular adjustment
- Transport box included

Item no.  
600 ...

870501  
870503  
870500

€/piece

785,00  
910,00  
1.385,00



Description

Hand scraper with 38 mm blade width  
Hand scraper with 63 mm blade width  
Spare blade 38 mm  
Spare blade 63 mm

Item no.  
600 ...

870015  
870017  
870016  
870018

€/piece

17,00  
26,00  
13,00  
16,00



Description

Pipe cutter R 42 (up to d 42)  
Pipe cutter R 63 (up to d 63)  
Spare blade for cutter up to d 42  
Spare blade for cutter up to d 63

Item no.  
600 ...

870010  
870012  
870011  
870013

€/piece

29,00  
109,00  
9,20  
31,00



Description

- Rotational pipe cutter d 20 - d 75 mm
- Rotational pipe cutter d 50 - d 140mm
- Rotational pipe cutter d 110 - d 160mm
- Spare wheel d 20 - d 75mm
- Spare wheel d 50 - d 140mm
- Spare wheel d 110 - d 160mm

Item no.  
600 ...

€/piece

880024	113,00
880027	187,00
880030	236,00
880025	39,00
880028	46,00
880028	46,00



Description

- PE cleaning tissue (about 100 tissues)
- PE cleaner (0,75l bottle)

Item no.  
600 ...

€/piece

870020	14,00
870021	19,50

Description

- Pipemarker (white)

Item no.  
600 ...

€/piece

870025	6,20
--------	------









The image shows a worker in a light-colored shirt and dark pants operating a large, complex industrial machine. The machine has various pipes, valves, and a large circular component on the right side. In the foreground, a large, dark, corrugated pipe is coiled on the ground. The entire scene is overlaid with a teal color filter.

FRANK-VTP®

The ideal solution for making use of the heat from the ground in case of drilling restrictions.

FRANK GmbH  
Starkenburgerstraße 1  
64546 Mörfelden-Walldorf  
T +49 6105 4085 - 0  
F +49 6105 4085 - 249  
E [info@frank-gmbh.de](mailto:info@frank-gmbh.de)  
[www.frank-gmbh.de](http://www.frank-gmbh.de)

© FRANK GmbH • status 02/23 • All data is subject to technical changes  
Coverfoto: [iStock.com/MiguelMalo](https://www.iStock.com/MiguelMalo)